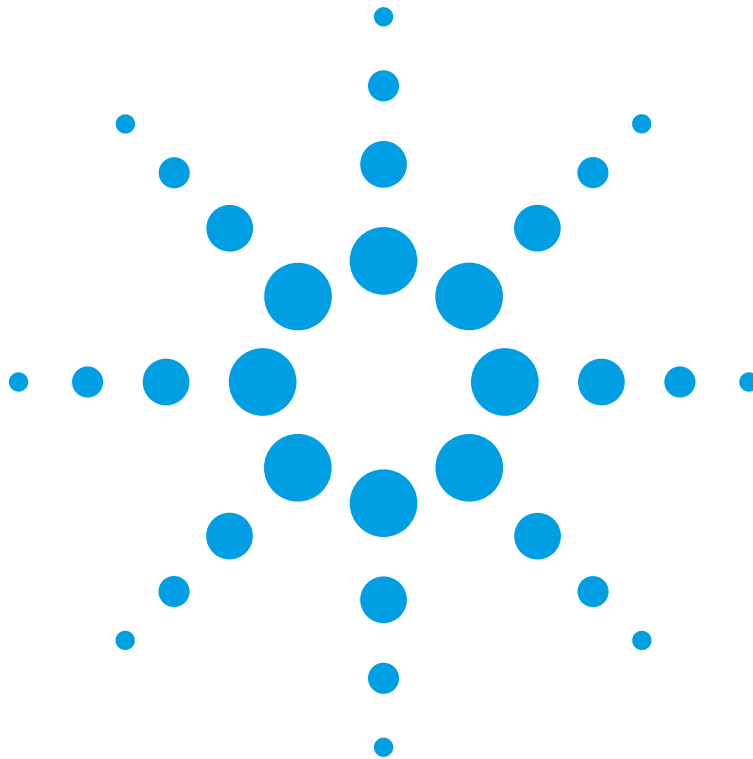

Agilent 83430A Lightwave Transmitter User's Guide



Agilent Technologies

© Copyright 2000
Agilent Technologies
All Rights Reserved. Reproduction, adaptation, or translation without prior written permission is prohibited, except as allowed under copyright laws.

Agilent Part No. 83430-90011
Printed in USA
February 2000

Agilent Technologies
Lightwave Division
1400 Fountaingrove Parkway
Santa Rosa, CA 95403-1799,
USA
(707) 577-1400

Notice.

The information contained in this document is subject to change without notice. Companies, names, and data used in examples herein are fictitious unless otherwise noted. Agilent Technologies makes no warranty of any kind with regard to this material, including but not limited to, the implied warranties of merchantability and fitness for a particular purpose. Agilent Technologies shall not be liable for errors contained herein or for incidental or consequential damages in connection with the furnishing, performance, or use of this material.

Restricted Rights Legend.

Use, duplication, or disclosure by the U.S. Government is subject to restrictions as set forth in subparagraph (c) (1) (ii) of the Rights in Technical Data and Computer Software clause at DFARS 252.227-7013 for DOD agencies, and subparagraphs (c) (1) and (c) (2) of the Commercial Computer Software Restricted Rights clause at FAR 52.227-19 for other agencies.

Warranty.

This Agilent Technologies instrument product is warranted against defects in

material and workmanship for a period of one year from date of shipment. During the warranty period, Agilent Technologies will, at its option, either repair or replace products which prove to be defective. For warranty service or repair, this product must be returned to a service facility designated by Agilent Technologies. Buyer shall prepay shipping charges to Agilent Technologies and Agilent Technologies shall pay shipping charges to return the product to Buyer. However, Buyer shall pay all shipping charges, duties, and taxes for products returned to Agilent Technologies from another country.

Agilent Technologies warrants that its software and firmware designated by Agilent Technologies for use with an instrument will execute its programming instructions when properly installed on that instrument. Agilent Technologies does not warrant that the operation of the instrument, or software, or firmware will be uninterrupted or error-free.

Limitation of Warranty.

The foregoing warranty shall not apply to defects resulting from improper or inadequate maintenance by Buyer, Buyer-supplied software or interfacing, unauthorized modification or misuse, operation outside of the environmental specifications for the product, or improper site preparation or maintenance.

No other warranty is expressed or implied. Agilent Technologies specifically disclaims the implied warranties of merchantability and fitness for a particular purpose.

Exclusive Remedies.

The remedies provided herein are buyer's sole and exclusive remedies. Agilent Technolo-

gies shall not be liable for any direct, indirect, special, incidental, or consequential damages, whether based on contract, tort, or any other legal theory.

Safety Symbols.

CAUTION

The *caution* sign denotes a hazard. It calls attention to a procedure which, if not correctly performed or adhered to, could result in damage to or destruction of the product. Do not proceed beyond a caution sign until the indicated conditions are fully understood and met.

WARNING

The *warning* sign denotes a hazard. It calls attention to a procedure which, if not correctly performed or adhered to, could result in injury or loss of life. Do not proceed beyond a warning sign until the indicated conditions are fully understood and met.



The instruction manual symbol. The product is marked with this warning symbol when it is necessary for the user to refer to the instructions in the manual.



The laser radiation symbol. This warning symbol is marked on products which have a laser output.



The AC symbol is used to indicate the required nature of the line module input power.



The ON symbols are used to mark the positions of the instrument power line switch.



The OFF symbols are used to mark the positions of the instrument power line switch.



The CE mark is a registered trademark of the European Community.



The CSA mark is a registered trademark of the Canadian Standards Association.



The C-Tick mark is a registered trademark of the Australian Spectrum Management Agency.

ISM1-A

This text denotes the instrument is an Industrial Scientific and Medical Group 1 Class A product.

Typographical Conventions.

The following conventions are used in this book:

Key type for keys or text located on the keyboard or instrument.

Softkey type for key names that are displayed on the instrument's screen.

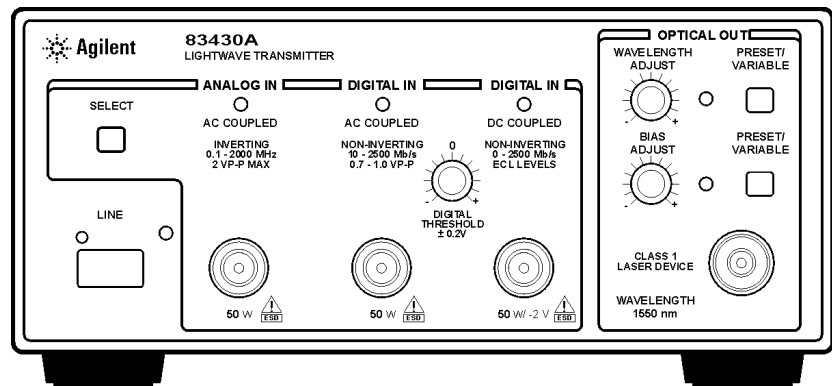
Display type for words or characters displayed on the computer's screen or instrument's display.

User type for words or characters that you type or enter.

Emphasis type for words or characters that emphasize some point or that are used as place holders for text that you type.

The Agilent 83430A—At a Glance

The Agilent 83430A lightwave transmitter is a directly modulated DFB laser source for digital and analog testing up to 2.5 Gb/s. Designed for evaluating the performance of high-speed TDM (time division multiplexed) and WDM (wavelength division multiplexed) optical receivers and systems, it is SDH/SONET compliant.



frntview

User Adjustable Features

The Agilent 83430A offers several user adjustable features:

- Digital input threshold — to obtain desired symmetry of optical one and zero levels
- Wavelength — select a preset or tune to a specific value within ± 1.25 nm of center
- Extinction ratio — to simulate a wide range of optical signals

The Agilent 83430A—At a Glance

Test Capabilities in Systems

The Agilent 83430A can be used as a general optical source or combined with other instrumentation in systems to make a variety of measurements.

- Optical parametric tests — optical receiver sensitivity, dispersion power penalty of single-mode fiber (with an Agilent 71603A error performance analyzer and Agilent 83446A lightwave clock/data receiver).
- Transceiver waveform testing — including filtered conformance mask testing, extinction ratio, and eye diagram measurements (with an Agilent 83480A digital communications analyzer).
- Jitter tolerance of recovered clock and data — to determine the ability of a receiver to maintain communication in the presence of jitter (with an Agilent 71501C jitter and eye-diagram analyzer).
- Performance testing for WDM optical MUX/DEMUX channels — including BER and system variations caused by cross-phase modulation and Raman effect (with an Agilent 83446A lightwave clock/data receiver, Agilent 71603B error performance analyzer, and Agilent 86120B multi-wavelength meter).

For setup and procedures for these and other measurements, see [Chapter 2, “Making Measurements”](#).

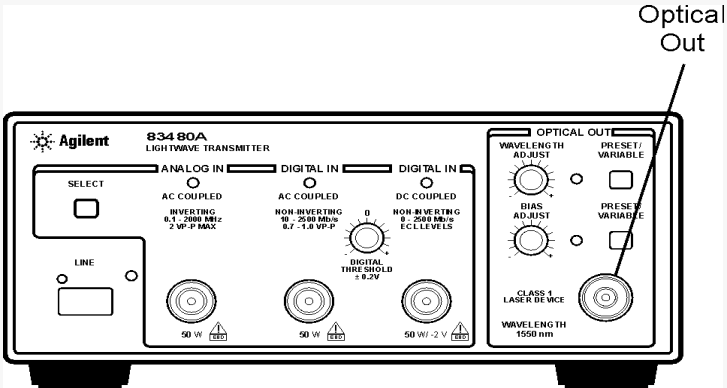
Measurement accuracy—it’s up to you!

Fiber-optic connectors are easily damaged when connected to dirty or damaged cables and accessories. The Agilent 83430A’s front-panel OPTICAL OUT connector is no exception. When you use improper cleaning and handling techniques, you risk expensive instrument repairs, damaged cables, and compromised measurements.

Before you connect any fiber-optic cable to the Agilent 83430A, [refer to “Cleaning Connections for Accurate Measurements” on page 2-9](#).

Laser classification

The Agilent 83430A is classified as an IEC LASER Class 1. The total power of light energy radiated out of the OPTICAL OUT connector is no greater than +8.1 dBm (6.5 mW). Operator maintenance or precautions are not necessary to maintain safety. No operator accessible controls, adjustments, or performance of procedures result in hazardous radiation exposure.



General Safety Considerations

This product has been designed and tested in accordance with IEC Publication 61010-1, Safety Requirements for Electrical Equipment for Measurement, Control and Laboratory Use, and has been supplied in a safe condition. The instruction documentation contains information and warnings that must be followed by the user to ensure safe operation and to maintain the product in a safe condition.

WARNING

If this instrument is not used as specified, the protection provided by the equipment could be impaired. This instrument must be used in a normal condition (in which all means for protection are intact) only.

WARNING

To prevent electrical shock, disconnect the Agilent 83430A from mains before cleaning. Use a dry cloth or one slightly dampened with water to clean the external case parts. Do not attempt to clean internally.

WARNING

This is a Safety Class 1 product (provided with a protective earthing ground incorporated in the power cord). The mains plug shall only be inserted in a socket outlet provided with a protective earth contact. Any interruption of the protective conductor inside or outside of the product is likely to make the product dangerous. Intentional interruption is prohibited.

WARNING

No operator serviceable parts inside. Refer servicing to qualified personnel. To prevent electrical shock, do not remove covers.

WARNING

For continued protection against fire hazard, replace line fuse only with same type and ratings, (type T 0.315A/250V for 100/120V operation and 0.16A/250V for 220/240V operation). The use of other fuses or materials is prohibited. Verify that the value of the line-voltage fuse is correct.

- For 100/120V operation, use an IEC 127 5×20 mm, 0.315 A, 250 V, Agilent part number 2110-0449.
- For 220/240V operation, use an IEC 127 5×20 mm, 0.16 A, 250 V, Agilent Technologies part number 2110-0448.

CAUTION

Before switching on this instrument, make sure that the line voltage selector switch is set to the line voltage of the power supply and the correct fuse is installed. Assure the supply voltage is in the specified range.

CAUTION

This product is designed for use in Installation Category II and Pollution Degree 2 per IEC 1010 and 664 respectively.

CAUTION

VENTILATION REQUIREMENTS: When installing the product in a cabinet, the convection into and out of the product must not be restricted. The ambient temperature (outside the cabinet) must be less than the maximum operating temperature of the product by 4°C for every 100 watts dissipated in the cabinet. If the total power dissipated in the cabinet is greater than 800 watts, then forced convection must be used.

CAUTION

Always use the three-prong ac power cord supplied with this instrument. Failure to ensure adequate earth grounding by not using this cord may cause instrument damage.

CAUTION

Do not connect ac power until you have verified the line voltage is correct, [refer to “Line Power Requirements” on page 1-8](#). Damage to the equipment could result.

CAUTION

This instrument has autoranging line voltage input. Be sure the supply voltage is within the specified range.

Contents

The Agilent 83430A—At a Glance iii

1 Getting Started

Step 1. Inspect the Shipment 1-4

Step 2. Check the Fuse 1-6

Step 3. Connect the Line-Power Cable 1-8

Step 4. Turn on the Agilent 83430A 1-10

Returning the Instrument for Service 1-11

2 Making Measurements

Using the Agilent 83430A 2-3

Cleaning Connections for Accurate Measurements 2-9

3 Specifications and Regulatory Information

Specifications 3-3

Regulatory Information 3-6

4 Reference

Options 4-2

Front-Panel Fiber-Optic Adapters 4-4

Power Cords 4-5

Agilent Technologies Service Offices 4-6

5 Servicing

General Information 5-4

Electrostatic Discharge Information 5-7

Troubleshooting 5-9

Performance Tests 5-13

Adjustment Procedures 5-36

Step 1. Inspect the Shipment	1-4
Step 2. Check the Fuse	1-6
Step 3. Connect the Line-Power Cable	1-8
Step 4. Turn on the Agilent 83430A	1-10
Returning the Instrument for Service	1-11

Getting Started

Getting Started

The instructions in this chapter show you how to install your Agilent 83430A. You should be able to finish these procedures in about ten to twenty minutes. After you've completed this chapter, continue with [Chapter 2, "Making Measurements"](#). Refer to [Chapter 3, "Specifications and Regulatory Information"](#) for information on operating conditions such as temperature.

WARNING

To prevent electric shock, disconnect the Agilent 83430A from mains before cleaning. Use a dry cloth or one slightly dampened with water to clean the external case parts. Do not attempt to clean internally.

WARNING

This is a Safety Class 1 product (provided with a protective earthing ground incorporated in the power cord). The mains plug shall only be inserted in a socket outlet provided with a protective earth contact. Any interruption of the protective conductor inside or outside of the product is likely to make the product dangerous. Intentional interruption is prohibited.

CAUTION

This product has autoranging line voltage input. Be sure the supply voltage is within the specified range.

CAUTION

VENTILATION REQUIREMENTS: When installing the product in a cabinet, the convection into and out of the product must not be restricted. The ambient temperature (outside the cabinet) must be less than the maximum operating temperature of the product by 4°C for every 100 watts dissipated in the cabinet. If the total power dissipated in the cabinet is greater than 800 watts, then forced convection must be used.

CAUTION

This product is designed for use in INSTALLATION CATEGORY II and POLLUTION DEGREE 2, per IEC 1010 and 664 respectively.

CAUTION

Before switching on this instrument, make sure that the line voltage selector switch is set to the line voltage of the power supply and the correct fuse is installed. Assure the supply voltage is in the specified range.

Measurement accuracy—it's up to you!

Fiber-optic connectors are easily damaged when connected to dirty or damaged cables and accessories. The Agilent 83430A's front-panel OPTICAL OUT connector is no exception. When you use improper cleaning and handling techniques, you risk expensive instrument repairs, damaged cables, and compromised measurements.

Before you connect any fiber-optic cable to the Agilent 83430A, refer to ["Cleaning Connections for Accurate Measurements"](#) on page 2-9.

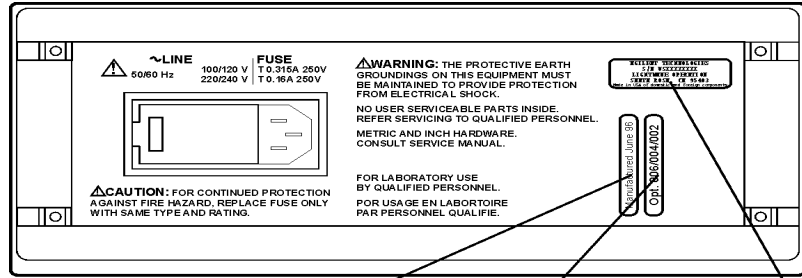
Step 1. Inspect the Shipment

- 1** Verify that all components ordered have arrived by comparing the shipping forms to the original purchase order. Inspect all shipping containers.

If your shipment is damaged or incomplete, save the packing materials and notify both the shipping carrier and the nearest Agilent Technologies service office. Agilent Technologies will arrange for repair or replacement of damaged or incomplete shipments without waiting for a settlement from the transportation company. Notify the Agilent Technologies customer engineer of any problems.

- 2** Make sure that the serial number and options listed on the instrument's rear-panel label match the serial number and options listed on the shipping document. The following figure shows the position of the rear-panel serial number label:

Step 1. Inspect the Shipment



Manufactured June 96

Opt. 570

AGILENT TECHNOLOGIES
S/N US36060162
LIGHTWAVE OPERATION
SANTA ROSA, CA 95403
Made in USA of domestic and foreign components

Installed Options

Serial Number

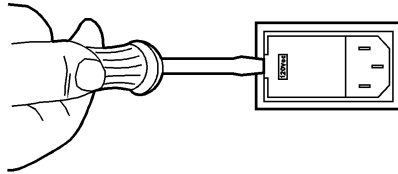
rlabels

Step 2. Check the Fuse

CAUTION

Before connecting the lightwave receiver to the power source, you must set the rear-panel voltage selector correctly to adapt the lightwave receiver to the power source. An improper selector setting can damage the Agilent 83430A when it is turned on.

- 1 Locate the line-input connector on the instrument's rear panel.
- 2 Disconnect the line-power cable if it is connected.
- 3 Use a small flat-blade screwdriver to pry open the fuse holder door.



fusedr

CAUTION

You must remove the voltage tumbler to change the voltage selector. Rotating the voltage tumbler while it is in the line module damages the line module.

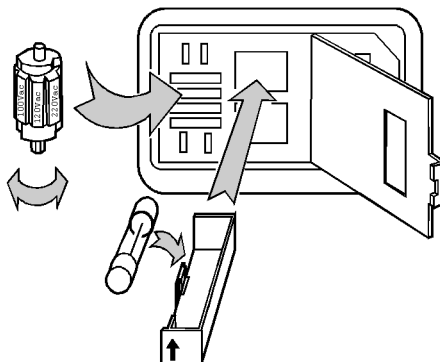
- 4 Remove the voltage tumbler, and replace the tumbler so that the desired line voltage value shows through the small opening in the fuse holder door.
- 5 The fuse is housed in a small container next to the voltage tumbler. Insert the tip of a screwdriver on the side of the container and gently pull outward to remove the container.

A spare fuse is stored below the line fuse.

- 6 Verify that the value of the line-voltage fuse is correct.
- For 100/120V operation, use an IEC 127 5×20 mm, 0.315 A, 250 V, Agilent part number 2110-0449.
 - For 220/240V operation, use an IEC 127 5×20 mm, 0.16 A, 250 V, Agilent part number 2110-0448.

WARNING

For continued protection against fire hazard, replace line fuse only with same type and ratings, (type T 0.315A/250V for 100/120V operation and 0.16A/250V for 220/240V operation). The use of other fuses or materials is prohibited.



linevt

Step 3. Connect the Line-Power Cable

Step 3. Connect the Line-Power Cable

CAUTION

Always use the three-prong AC power cord supplied with this instrument. Failure to ensure adequate earth grounding by not using this cord may cause instrument damage.

CAUTION

Do *not* connect ac power until you have verified the line voltage is correct as described in the following paragraphs. Damage to the equipment could result.

CAUTION

This instrument has autoranging line voltage input. Be sure the supply voltage is within the specified range.

- 1 Verify that the line power meets the requirements shown in the following table.

Line Power Requirements

Power	115 VAC: 50 WATTS MAX 230 VAC: 50 WATTS MAX
Voltage	nominal: 115 VAC range:90–132 V nominal:230 VACrange:98–254 V
Frequency	nominal: 50 Hz/60 Hzrange: 47–63 Hz

- 2 Connect the line-power cord to the instrument's rear-panel connector.

Step 3. Connect the Line-Power Cable

- 3 Connect the other end of the line-power cord to the power receptacle.

Various power cables are available to connect the Agilent 83430A to ac power outlets unique to specific geographic areas. The cable appropriate for the area to which the Agilent 83430A is originally shipped is included with the unit. You can order additional ac power cables for use in different geographic areas.

[Refer to “Power Cords” on page 4-5.](#)

Step 4. Turn on the Agilent 83430A

- Press the front-panel LINE key.

The front-panel LINE switch disconnects the mains circuits from the mains supply after the EMC filters and before other parts of the instrument.

If the Agilent 83430A fails to turn on properly, consider the following possibilities:

- Is the line fuse good?
- Does the line socket have power?
- Is it plugged into the proper ac power source?

If the instrument still fails, return it to Agilent Technologies for repair. [Refer to “Returning the Instrument for Service” on page 1-11.](#)

Returning the Instrument for Service

The instructions in this section show you how to properly return the instrument for repair or calibration. Always call the Agilent Technologies Instrument Support Center first to initiate service *before* returning your instrument to a service office. This ensures that the repair (or calibration) can be properly tracked and that your instrument will be returned to you as quickly as possible. Call this number regardless of where you are located. Refer to “Agilent Technologies Service Offices” on page 4-6 for a list of service offices.

Agilent Technologies Instrument Support Center. (800) 403-0801

If the instrument is still under warranty or is covered by an Agilent Technologies maintenance contract, it will be repaired under the terms of the warranty or contract (the warranty is at the front of this manual). If the instrument is no longer under warranty or is not covered by an Agilent Technologies maintenance plan, Agilent Technologies will notify you of the cost of the repair after examining the unit.

When an instrument is returned to a Agilent Technologies service office for servicing, it must be adequately packaged and have a complete description of the failure symptoms attached. When describing the failure, please be as specific as possible about the nature of the problem. Include copies of additional failure information (such as the instrument failure settings, data related to instrument failure, and error messages) along with the instrument being returned.

Preparing the instrument for shipping

- 1 Write a complete description of the failure and attach it to the instrument. Include any specific performance details related to the problem. The following

Returning the Instrument for Service

information should be returned with the instrument.

- Type of service required.
 - Date instrument was returned for repair.
 - Description of the problem:
 - Whether problem is constant or intermittent.
 - Whether instrument is temperature-sensitive.
 - Whether instrument is vibration-sensitive.
 - Instrument settings required to reproduce the problem.
 - Performance data.
 - Company name and return address.
 - Name and phone number of technical contact person.
 - Model number of returned instrument.
 - Full serial number of returned instrument.
 - List of any accessories returned with instrument.
- 2** Cover all front or rear-panel connectors that were originally covered when you first received the instrument.

CAUTION

Cover electrical connectors to protect sensitive components from electrostatic damage. Cover optical connectors to protect them from damage due to physical contact or dust.

CAUTION

Instrument damage can result from using packaging materials other than the original materials. Never use styrene pellets as packaging material. They do not adequately cushion the instrument or prevent it from shifting in the carton. They may also cause instrument damage by generating static electricity.

- 3** Pack the instrument in the original shipping containers. Original materials are available through any Agilent Technologies office. Or, use the following guidelines:
- Wrap the instrument in antistatic plastic to reduce the possibility of damage caused by electrostatic discharge.
 - For instruments weighing less than 54 kg (120 lb), use a double-walled, corrugated cardboard carton of 159 kg (350 lb) test strength.
 - The carton must be large enough to allow approximately 7 cm (3 inches) on all sides of the instrument for packing material, and strong enough to accommodate the weight of the instrument.
 - Surround the equipment with approximately 7 cm (3 inches) of packing material, to protect the instrument and prevent it from moving in the carton. If packing foam is not available, the best alternative is S.D-240 Air Cap™ from

Sealed Air Corporation (Commerce, California 90001). Air Cap looks like a plastic sheet filled with air bubbles. Use the pink (antistatic) Air Cap™ to reduce static electricity. Wrapping the instrument several times in this material will protect the instrument and prevent it from moving in the carton.

- 4** Seal the carton with strong nylon adhesive tape.
- 5** Mark the carton “FRAGILE, HANDLE WITH CARE”.
- 6** Retain copies of all shipping papers.

Using the Agilent 83430A	2-3
Front-panel Features	2-3
Example Uses	2-5
Cleaning Connections for Accurate Measurements	2-9

Making Measurements

Making Measurements

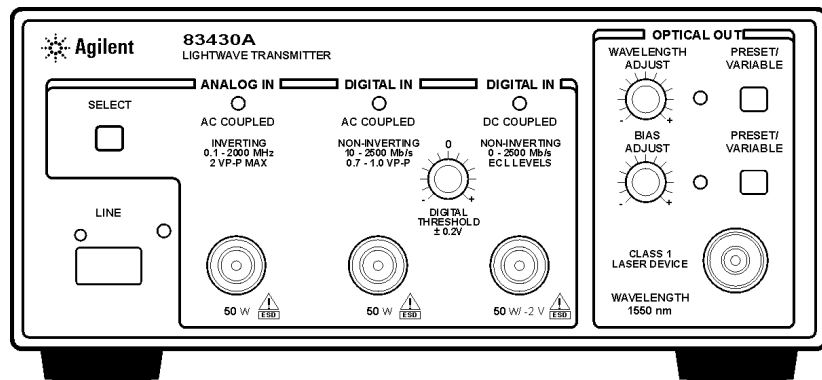
In this chapter, you'll find examples of making measurements using the Agilent 83430A.

The last section of this chapter explains how to maintain top performance of your instrument by using proper handling and cleaning techniques. Be sure to read this section before using your Agilent 83430A.

Using the Agilent 83430A

Front-panel Features

The following paragraphs describe the Agilent 83430A front-panel features.



frntview

LINE key

Disconnects the mains circuit from the mains supply after the EMC filters and before other parts of the instrument.

SELECT button

Selects between three modulation inputs: ANALOG IN AC COUPLED, DIGITAL IN AC COUPLED, and DIGITAL IN DC COUPLED. Front panel lights come on to indicate which input is selected.

DIGITAL THRESHOLD

Adjusts level of ECL input required for triggering the on state.

ANALOG IN
(AC COUPLED)

Modulation input for analog signals. BNC connector.

Making Measurements
Using the Agilent 83430A

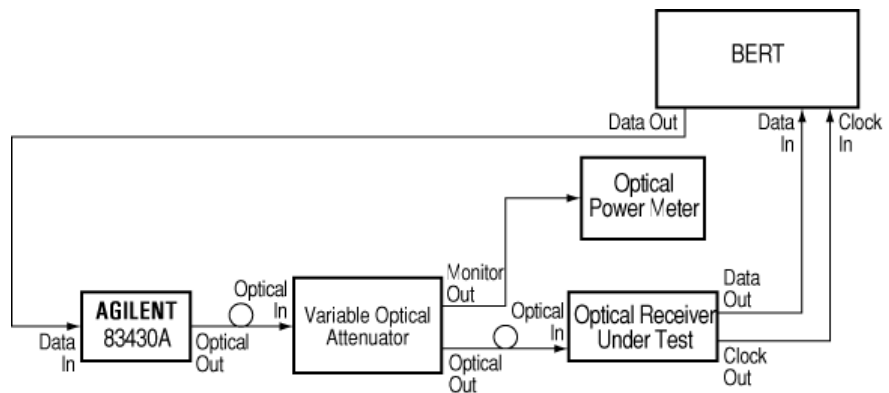
DIGITAL IN (AC COUPLED)	Modulation input for digital signals. The input is AC coupled. BNC connector.
DIGITAL IN (DC COUPLED)	Modulation input for analog signals. This input is DC coupled. BNC connector.
WAVELENGTH ADJUST knob	Allows you to adjust the laser's wavelength when the variable mode is activated. Press the PRESET/VARIABLE button so that the front-panel light turns on.
PRESET/VARIABLE button	Toggles between preset laser wavelength or amplitude settings. (Light turns on to indicate you can adjust the setting using the knob.).
BIAS ADJUST knob	Allows you to adjust the laser's output amplitude when variable mode is activated. Press the PRESET/VARIABLE button so that the front-panel light turns on.
OPTICAL OUT connector	This connector provides the instrument's laser output. A universal adapter is used that can be removed and replaced with different adapters as needed (refer to “Front-Panel Fiber-Optic Adapters” on page 4-4).

Example Uses

Testing optical receiver sensitivity

You can use the Agilent 83430A to measure the minimum sensitivity of an optical receiver. The following figure shows one possible test setup which uses the following equipment:

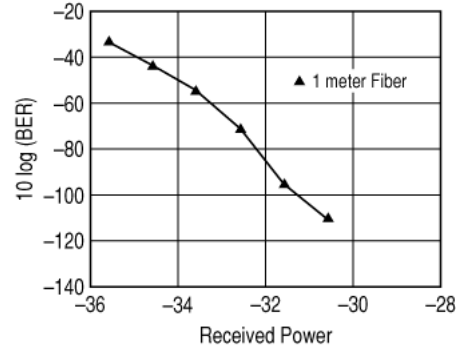
- Agilent 83430A
- Agilent 71603B error performance analyzer
- Agilent 8156A Option 121 high performance optical attenuator with optical monitor output
- Agilent 8153A optical power meter



The bit error rate (BER) is monitored as the power to the optical receiver is reduced. The minimum sensitivity limit is found when the BER increases to some pre-determined level above which the receiver performance is unacceptable. Because the Agilent 83430A is a SDH/SONET compliant transmitter in its preset state, the measured BER performance (1×10^{-10} for SDH/SONET system) determines the sensitivity limits of the optical receiver.

The following figure shows the sensitivity of the Agilent 83446A/B lightwave clock/data receiver as the optical receiver under test.

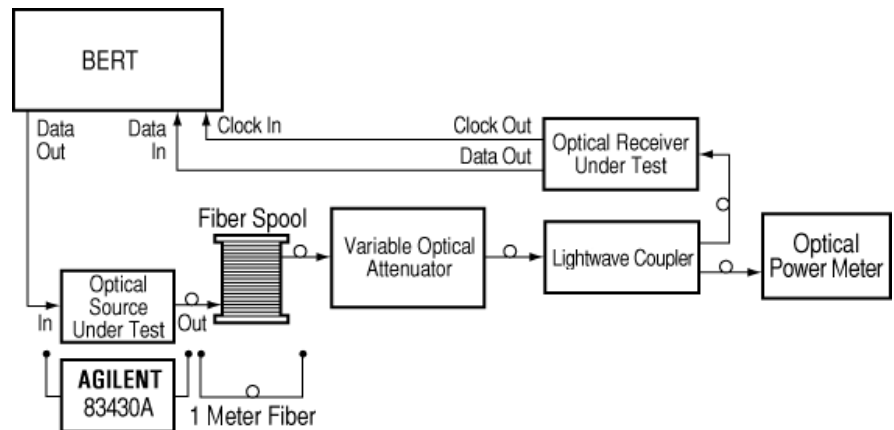
Using the Agilent 83430A



Testing dispersion power penalty

Signal degradation due to fiber dispersion can have a major impact on the maximum distance over which optical data can reliably be sent. The dispersion power penalty of single-mode fiber can be tested with the measurement setup shown in the following figure. The following equipment is used:

- Agilent 83430A
- Agilent 8153A optical power meter
- Agilent 11890A Option H01 optical coupler
- Agilent 8156A variable optical attenuator
- Agilent 71603B error performance analyzer

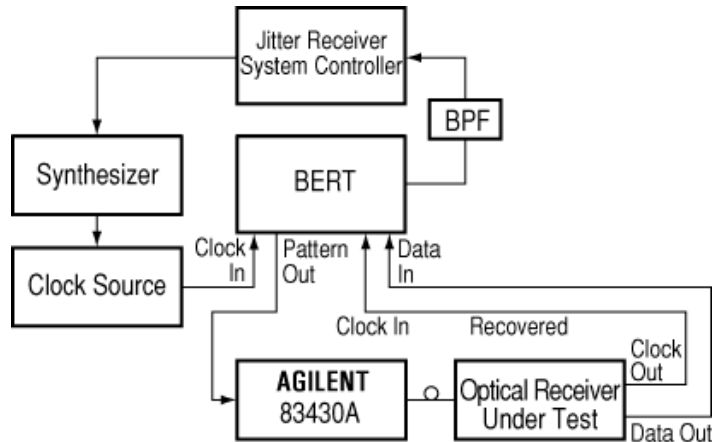


The system is first tested with a 1 meter length of fiber. Use the attenuator to adjust the received power until the desired BER is measured. Substitute a long length of fiber for the 1 meter fiber and adjust the attenuator to achieve the desired BER. The difference in received power is the dispersion power penalty. The Agilent 83430A can be used as a reference source to isolate system component causes of undesired dispersion power penalty results.

The Agilent 83430A is an excellent choice for this measurement because it has a very narrow modulated spectral width (low chirp) and meets the SDH/SONET dispersion power penalty requirement at 1200 ps/nm fiber dispersion. Lower dispersion power penalty lasers are available as special options.

Testing jitter tolerance

High-speed digital receivers are often required to receive or regenerate data using a clock signal that is recovered or extracted from the data waveform. Variation in the data rate, commonly known as jitter, can complicate the clock recovery and data regeneration process. A jitter tolerance test determines the ability of a receiver to maintain communication in the presence of jitter. The jitter tolerance test determines the actual levels at which the DUT can no longer maintain the desired BER. The Agilent 83430A and an Agilent 71501C jitter tolerance system can be used to test jitter tolerance. The following figure shows a test setup for using the Agilent 83430A and 71501C to test for jitter tolerance.



A BER measurement of the receiver under test is made with jitter-free data. Attenuate the signal power until errors occur or until a specific BER is achieved. Reduce the attenuation by 1 dB. Apply jitter to the clock signal going to the pattern generator. The recovered clock and data from the receiver under test is routed to the error detector where the BER measurement is performed. The Agilent 71501C compares the results of the BER test to the user-defined level to determine the pass/fail status.

Cleaning Connections for Accurate Measurements

Today, advances in measurement capabilities make connectors and connection techniques more important than ever. Damage to the connectors on calibration and verification devices, test ports, cables, and other devices can degrade measurement accuracy and damage instruments. Replacing a damaged connector can cost thousands of dollars, not to mention lost time! This expense can be avoided by observing the simple precautions presented in this book. This book also contains a brief list of tips for caring for electrical connectors.

Choosing the Right Connector

A critical but often overlooked factor in making a good lightwave measurement is the selection of the fiber-optic connector. The differences in connector types are mainly in the mechanical assembly that holds the ferrule in position against another identical ferrule. Connectors also vary in the polish, curve, and concentricity of the core within the cladding. Mating one style of cable to another requires an adapter. Agilent Technologies offers adapters for most instruments to allow testing with many different cables. [Figure 2-1 on page 2-10](#) shows the basic components of a typical connectors.

The system tolerance for reflection and insertion loss must be known when selecting a connector from the wide variety of currently available connectors. Some items to consider when selecting a connector are:

- How much insertion loss can be allowed?
- Will the connector need to make multiple connections? Some connectors are better than others, and some are very poor for making repeated connections.
- What is the reflection tolerance? Can the system take reflection degradation?
- Is an instrument-grade connector with a precision core alignment required?
- Is repeatability tolerance for reflection and loss important? Do your specifica-

Cleaning Connections for Accurate Measurements

tions take repeatability uncertainty into account?

- Will a connector degrade the return loss too much, or will a fusion splice be required? For example, many DFB lasers cannot operate with reflections from connectors. Often as much as 90 dB isolation is needed.

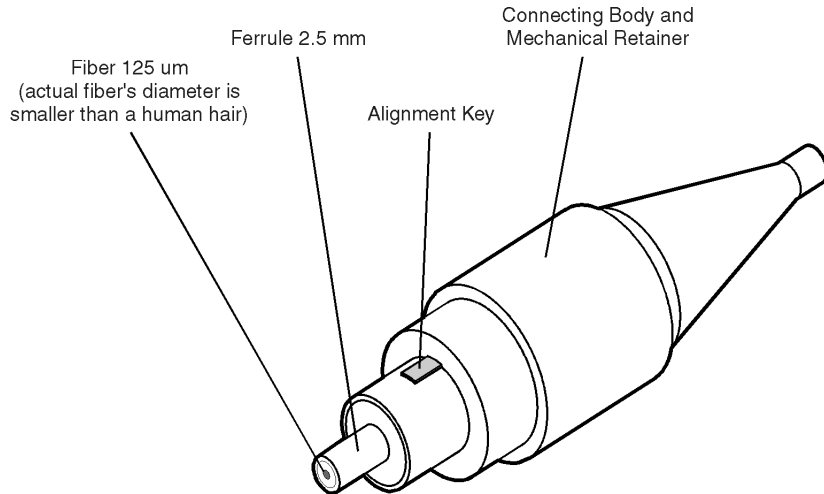


Figure 2-1. Basic components of a connector.

Over the last few years, the FC/PC style connector has emerged as the most popular connector for fiber-optic applications. While not the highest performing connector, it represents a good compromise between performance, reliability, and cost. If properly maintained and cleaned, this connector can withstand many repeated connections.

However, many instrument specifications require tighter tolerances than most connectors, including the FC/PC style, can deliver. These instruments cannot tolerate connectors with the large non-concentricities of the fiber common with ceramic style ferrules. When tighter alignment is required, Agilent Technologies instruments typically use a connector such as the Diamond HMS-10, which has concentric tolerances within a few tenths of a micron. Agilent Technologies then uses a special universal adapter, which allows other cable types to mate with this precision connector. See [Figure 2-2](#).



Figure 2-2. Universal adapters to Diamond HMS-10.

The HMS-10 encases the fiber within a soft nickel silver (Cu/Ni/Zn) center which is surrounded by a tough tungsten carbide casing, as shown in [Figure 2-3](#).

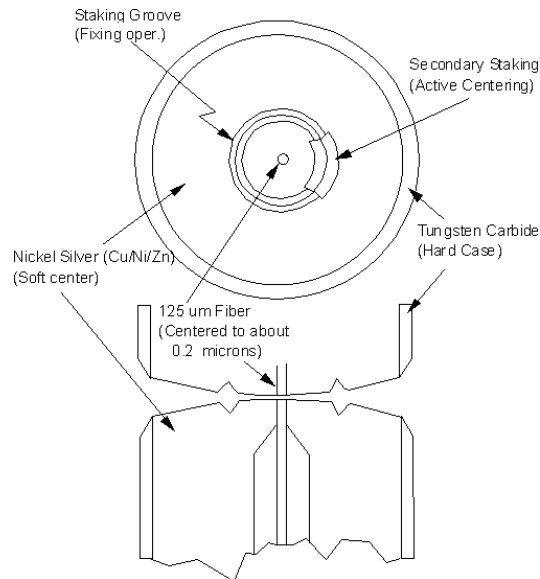


Figure 2-3. Cross-section of the Diamond HMS-10 connector.

The nickel silver allows an active centering process that permits the glass fiber to be moved to the desired position. This process first stakes the soft nickel silver to fix the fiber in a near-center location, then uses a post-active staking to shift the fiber into the desired position within 0.2 μm. This process, plus the keyed axis, allows very precise core-to-core alignments. This connector is found on most Agilent Technologies lightwave instruments.

Cleaning Connections for Accurate Measurements

The soft core, while allowing precise centering, is also the chief liability of the connector. The soft material is easily damaged. Care must be taken to minimize excessive scratching and wear. While minor wear is not a problem if the glass face is not affected, scratches or grit can cause the glass fiber to move out of alignment. Also, if unkeyed connectors are used, the nickel silver can be pushed onto the glass surface. Scratches, fiber movement, or glass contamination will cause loss of signal and increased reflections, resulting in poor return loss.

Inspecting Connectors

Because fiber-optic connectors are susceptible to damage that is not immediately obvious to the naked eye, poor measurements result without the user being aware. Microscopic examination and return loss measurements are the best way to ensure good measurements. Good cleaning practices can help ensure that optimum connector performance is maintained. With glass-to-glass interfaces, any degradation of a ferrule or the end of the fiber, any stray particles, or finger oil can have a significant effect on connector performance. Where many repeat connections are required, use of a connector saver or patch cable is recommended.

[Figure 2-4](#) shows the end of a clean fiber-optic cable. The dark circle in the center of the micrograph is the fiber's 125 μm core and cladding which carries the light. The surrounding area is the soft nickel-silver ferrule. [Figure 2-5](#) shows a dirty fiber end from neglect or perhaps improper cleaning. Material is smeared and ground into the end of the fiber causing light scattering and poor reflection. Not only is the precision polish lost, but this action can grind off the glass face and destroy the connector.

[Figure 2-6](#) shows physical damage to the glass fiber end caused by either repeated connections made without removing loose particles or using improper cleaning tools. When severe, the damage of one connector end can be transferred to another good connector endface that comes in contact with the damaged one. Periodic checks of fiber ends, and replacing connecting cables after many connections is a wise practice.

The cure for these problems is disciplined connector care as described in the following list and in [“Cleaning Connectors” on page 2-16](#).

Cleaning Connections for Accurate Measurements

Use the following guidelines to achieve the best possible performance when making measurements on a fiber-optic system:

- Never use metal or sharp objects to clean a connector and never scrape the connector.
- Avoid matching gel and oils.

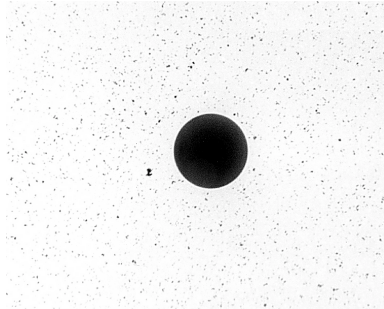


Figure 2-4. Clean, problem-free fiber end and ferrule.

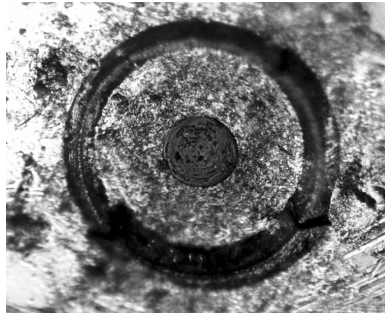


Figure 2-5. Dirty fiber end and ferrule from poor cleaning.

Cleaning Connections for Accurate Measurements



Figure 2-6. Damage from improper cleaning.

While these often work well on first insertion, they are great dirt magnets. The oil or gel grabs and holds grit that is then ground into the end of the fiber. Also, some early gels were designed for use with the FC, non-contacting connectors, using small glass spheres. When used with contacting connectors, these glass balls can scratch and pit the fiber. If an index matching gel or oil must be used, apply it to a freshly cleaned connector, make the measurement, and then immediately clean it off. Never use a gel for longer-term connections and never use it to improve a damaged connector. The gel can mask the extent of damage and continued use of a damaged fiber can transfer damage to the instrument.

- When inserting a fiber-optic cable into a connector, gently insert it in as straight a line as possible. Tipping and inserting at an angle can scrape material off the inside of the connector or even break the inside sleeve of connectors made with ceramic material.
- When inserting a fiber-optic connector into a connector, make sure that the fiber end does not touch the outside of the mating connector or adapter.
- Avoid over tightening connections.

Unlike common electrical connections, tighter is *not* better. The purpose of the connector is to bring two fiber ends together. Once they touch, tightening only causes a greater force to be applied to the delicate fibers. With connectors that have a convex fiber end, the end can be pushed off-axis resulting in misalignment and excessive return loss. Many measurements are actually improved by backing off the connector pressure. Also, if a piece of grit does happen to get by the cleaning procedure, the tighter connection is more likely to damage the glass. Tighten the connectors just until the two fibers touch.

- Keep connectors covered when not in use.
- Use fusion splices on the more permanent critical nodes. Choose the best connector possible. Replace connecting cables regularly. Frequently measure the return loss of the connector to check for degradation, and clean every connector, every time.

All connectors should be treated like the high-quality lens of a good camera. The weak link in instrument and system reliability is often the inappropriate use and care of the connector. Because current connectors are so easy to use, there tends to be reduced vigilance in connector care and cleaning. It takes only one missed cleaning for a piece of grit to permanently damage the glass and ruin the connector.

Measuring insertion loss and return loss

Consistent measurements with your lightwave equipment are a good indication that you have good connections. Since return loss and insertion loss are key factors in determining optical connector performance they can be used to determine connector degradation. A smooth, polished fiber end should produce a good return-loss measurement. The quality of the polish establishes the difference between the “PC” (physical contact) and the “Super PC” connectors. Most connectors today are physical contact which make glass-to-glass connections, therefore it is critical that the area around the glass core be clean and free of scratches. Although the major area of a connector, excluding the glass, may show scratches and wear, if the glass has maintained its polished smoothness, the connector can still provide a good low level return loss connection.

If you test your cables and accessories for insertion loss and return loss upon receipt, and retain the measured data for comparison, you will be able to tell in the future if any degradation has occurred. Typical values are less than 0.5 dB of loss, and sometimes as little as 0.1 dB of loss with high performance connectors. Return loss is a measure of reflection: the less reflection the better (the larger the return loss, the smaller the reflection). The best physically contacting connectors have return losses better than 50 dB, although 30 to 40 dB is more common.

Cleaning Connections for Accurate Measurements***Visual inspection of fiber ends***

Visual inspection of fiber ends can be helpful. Contamination or imperfections on the cable end face can be detected as well as cracks or chips in the fiber itself. Use a microscope (100X to 200X magnification) to inspect the entire end face for contamination, raised metal, or dents in the metal as well as any other imperfections. Inspect the fiber for cracks and chips. Visible imperfections not touching the fiber core may not affect performance (unless the imperfections keep the fibers from contacting).

WARNING

Always remove both ends of fiber-optic cables from any instrument, system, or device before visually inspecting the fiber ends. Disable all optical sources before disconnecting fiber-optic cables. Failure to do so may result in permanent injury to your eyes.

Cleaning Connectors

The procedures in this section provide the proper steps for cleaning fiber-optic cables and Agilent Technologies universal adapters. The initial cleaning, using the alcohol as a solvent, gently removes any grit and oil. If a caked-on layer of material is still present, (this can happen if the beryllium-copper sides of the ferrule retainer get scraped and deposited on the end of the fiber during insertion of the cable), a second cleaning should be performed. It is not uncommon for a cable or connector to require more than one cleaning.

CAUTION

Agilent Technologies strongly recommends that index matching compounds *not* be applied to their instruments and accessories. Some compounds, such as gels, may be difficult to remove and can contain damaging particulates. If you think the use of such compounds is necessary, refer to the compound manufacturer for information on application and cleaning procedures.

Table 2-1. Cleaning Accessories

Item	Agilent Part Number
Pure isopropyl alcohol	—
Cotton swabs	8520-0023
Small foam swabs	9300-1223
Compressed dust remover (non-residue)	8500-5262

Table 2-2. Dust Caps Provided with Lightwave Instruments

Item	Agilent Part Number
Laser shutter cap	08145-64521
FC/PC dust cap	08154-44102
Biconic dust cap	08154-44105
DIN dust cap	5040-9364
HMS10/dust cap	5040-9361
ST dust cap	5040-9366

To clean a non-lensed connector

CAUTION

Do not use any type of foam swab to clean optical fiber ends. Foam swabs can leave filmy deposits on fiber ends that can degrade performance.

- 1** Apply pure isopropyl alcohol to a clean lint-free cotton swab or lens paper.
Cotton swabs can be used as long as no cotton fibers remain on the fiber end after cleaning.
- 2** Clean the ferrules and other parts of the connector while avoiding the end of the fiber.
- 3** Apply isopropyl alcohol to a new clean lint-free cotton swab or lens paper.
- 4** Clean the fiber end with the swab or lens paper.
Do *not* scrub during this initial cleaning because grit can be caught in the swab and become a gouging element.
- 5** Immediately dry the fiber end with a clean, dry, lint-free cotton swab or lens paper.
- 6** Blow across the connector end face from a distance of 6 to 8 inches using filtered, dry, compressed air. Aim the compressed air at a shallow angle to the fiber end face.

Nitrogen gas or compressed dust remover can also be used.

CAUTION

Do not shake, tip, or invert compressed air canisters, because this releases particles in the can into the air. Refer to instructions provided on the compressed air canister.

- 7 As soon as the connector is dry, connect or cover it for later use.

If the performance, after the initial cleaning, seems poor try cleaning the connector again. Often a second cleaning will restore proper performance. The second cleaning should be more arduous with a scrubbing action.

To clean an adapter

The fiber-optic input and output connectors on many Agilent Technologies instruments employ a universal adapter such as those shown in the following picture. These adapters allow you to connect the instrument to different types of fiber-optic cables.



Figure 2-7. Universal adapters.

- 1 Apply isopropyl alcohol to a clean foam swab.

Cotton swabs can be used as long as no cotton fibers remain after cleaning. The foam swabs listed in this section's introduction are small enough to fit into adapters.

Although foam swabs can leave filmy deposits, these deposits are very thin, and the risk of other contamination buildup on the inside of adapters greatly outweighs the risk of contamination by foam swabs.

- 2 Clean the adapter with the foam swab.
- 3 Dry the inside of the adapter with a clean, dry, foam swab.
- 4 Blow through the adapter using filtered, dry, compressed air.

Nitrogen gas or compressed dust remover can also be used. Do not shake, tip, or invert compressed air canisters, because this releases particles in the can into the air. Refer to instructions provided on the compressed air canister.

Specifications 3-3
Regulatory Information 3-6

Specifications and Regulatory Information

Specifications and Regulatory Information

This chapter lists specification and characteristics of the instrument. The distinction between these terms is described as follows:

- Specifications describe warranted performance over the temperature range 0°C to +45°C and relative humidity <95% (unless otherwise noted). All specifications apply after the instrument's temperature has been stabilized after 15 minutes of continuous operation.
- *Characteristics* provide useful information by giving functional, but nonwarranted, performance parameters. *Characteristics are printed in this typeface.*

Calibration cycle

This instrument requires periodic verification of performance. The instrument should have a complete verification of specifications at least once every two years.

Specifications

Table 3-1. Center Wavelength

Option	Center Wavelength	Option	Center Wavelength
Standard	1550 \pm 1 nm	462	1546.2 \pm 1 nm
130	1310 \pm 20 nm	469	1546.92 \pm 1 nm
327	1532.68 \pm 1 nm	477	1547.72 \pm 1 nm
335	1533.47 \pm 1 nm	485	1548.51 \pm 1 nm
343	1534.25 \pm 1 nm	493	1549.32 \pm 1 nm
350	1535.04 \pm 1 nm	501	1550.12 \pm 1 nm
358	1535.82 \pm 1 nm	509	1550.92 \pm 1 nm
366	1536.61 \pm 1 nm	517	1551.72 \pm 1 nm
374	1537.40 \pm 1 nm	525	1552.52 \pm 1 nm
382	1538.19 \pm 1 nm	533	1553.33 \pm 1 nm
390	1539 \pm 1 nm	534	1553.4 \pm 1 nm
398	1539.77 \pm 1 nm	541	1554.13 \pm 1 nm
406	1540.56 \pm 1 nm	549	1554.94 \pm 1 nm
414	1541.35 \pm 1 nm	557	1555.75 \pm 1 nm
421	1542.14 \pm 1 nm	566	1556.55 \pm 1 nm
429	1542.94 \pm 1 nm	570	1157 \pm 1 nm
430	1543 \pm 1 nm	574	1557.36 \pm 1 nm
437	1543.73 \pm 1 nm	582	1558.17 \pm 1 nm
445	1544.53 \pm 1 nm	590	1558.98 \pm 1 nm
453	1545.32 \pm 1 nm	598	1559.79 \pm 1 nm
461	1546.12 \pm 1 nm	605	1560.5 \pm 1 nm
		606	1560.61 \pm 1 nm

Specifications**Table 3-2. General Specifications**

Eye Mask Performance	Conforms to GR-253 and ITU G.957 requirements at OC-1, OC-3/STM-1, OC-12/STM-4, OC-48/STM-16
Wavelength Adjustment Range (over 25 ±10°C ambient temperature range)	±1.25 nm (±1.8 nm typical)
Extinction Ratio (over 25 ±10°C ambient, measured at OC-48/STM-16 rate in instrument preset condition)	10 dB ±1 dB
<i>Bias/Extinction Ratio Adjustment Range (characteristic)</i>	<i><8.2 dB to >13 dB</i>
Peak Coupled Power, Digital Mode (preset bias condition)	1.3 mW minimum (+1 dBm)
Average Coupled Power, Analog Mode (preset bias condition)	0.63 mW minimum (–2.0 dBm)
<i>Relative Intensity Noise (characteristic)</i>	<i>(RIN) @ 1 GHz – 145 dB/Hz</i>
Spectral Width (measured with digital modulation at 2.5 Gb/s with SONET reflection conditions)	0.3 nm maximum at –3 dB; 1 nm maximum at –20 dB
<i>Dispersion Power Penalty (characteristic)^b</i>	<i><2.0 dB</i>
Side-mode Suppression Ratio (digital modulation at 2.5 Gb/s with SONET reflection conditions)	33 dB minimum
Jitter Generation ^b	0.05 maximum UI p-p, 0.005 maximum UI rms

a. Measurement conditions: 2.5 Gb/s, 2²³–1 PRBS, NRZ, preset bias condition, dispersion = 1200 ps/nm, 1 x 10⁻¹⁰ BER.

b. Measured per GE-253 and ITU-T G.958, 12 kHz – 20 MHz filter, SDH/SONET pattern.

Table 3-3. Input Modulation

	DIGITAL IN AC COUPLED	DIGITAL IN DC COUPLED	ANALOG IN AC COUPLED
Maximum Input Level	2 V p-p	-4.5 to 0 V	2 V p-p
Bit Rate	50 to 2500 Mb/s ^a	DC to 2500 Mb/s	0.1 to 2500 MHz (3 dB bandwidth)
<i>Pulse Pattern (characteristic)</i>	<i>40 to 60% ones density</i>	<i>0 to 100% ones density</i>	
Polarity	Non-inverting	Non-inverting	Inverting
Input Level	0.7 to 1.5 V p-p	-1.7 V low, -0.9 V high (ECL levels)	2 V p-p maximum
Digital Threshold Adjustment Range	±0.2 V	±0.2 V	
Impedance <i>(characteristic)</i>	50 Ω	50 Ω	50 Ω
Input Return Loss <i>(characteristic)</i>			
0.1 to 1 GHz	12 dB	12 dB	12 dB
1 to 2 GHz	8.5 dB	8.5 dB	9 dB
2 to 2.5 GHz	6 dB	6 dB	6 dB

a. Tested with 2²³-1 PRBS pattern.

Table 3-4. Operating Specifications

Use	Indoor
Power	115 VAC:50 WATTS MAX 230 VAC:50 WATTS MAX
Voltage	nominal:115 VACrange:90-132 V nominal:230 VACrange:198-254 V
Frequency	nominal:50 Hz/60 Hzrange:47-63 Hz
Altitude	Up to 15,000 feet (4,572 meters)
Operating temperature	0°C to +55°C
Storage temperature	-40°C to +70°C
Maximum relative humidity	80% for temperatures up to 31°C, decreasing linearly to 50% relative humidity at 40°C
Laser Classification	FDA Laser Class I according to 21 CFR 1040.10 IEC Laser Class 1 according to IEC 60825
Weight	3.6 kg (8 lb)
Dimensions (H x W x D)	102 x 213 x 368 mm (4.02 x 8.39 x 14.49 in) System II chassis (half module, 3.5" height, 1.75" hole spacing)

Regulatory Information

Regulatory Information

- Laser Classification: This product contains an IEC LASER Class 1.
- This product complies with 21 CFR 1040.10 Class 1, IEC 825-1 Class 1.
- This product is designed for use in INSTALLATION CATEGORY II and POLLUTION DEGREE 2, per IEC 1010 and 664 respectively.

**Notice for
Germany: Noise
Declaration**

This is to declare that this instrument is in conformance with the German Regulation on Noise Declaration for Machines (Laermangabe nach der Maschinenlaermrrordnung –3.GSGV Deutschland).

Acoustic Noise Emission	Geraeuschemission
LpA < 70 dB Operator position Normal position per ISO 7779	LpA < 70 dB am Arbeitsplatz normaler Betrieb nach DIN 45635 t.19

DECLARATION OF CONFORMITY
according to ISO/IEC Guide 22 and EN 45014

Manufacturer's Name: Hewlett-Packard Co.

Manufacturer's Address: 1400 Fountaingrove Parkway
Santa Rosa, CA 95403-1799
USA

declares that the product:

Product Name: LIGHTWAVE TRANSMITTER

Model Number: HP 83430A

Product Options: This declaration covers all options of the above product.

conforms to the following Product specifications:

Safety: IEC 1010-1:1990+A1 / EN 61010-1:1993
CAN/CSA-C22.2 No. 1010.1-92

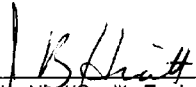
EMC: CISPR 11:1990/EN 55011:1991 Group 1, Class A
IEC 801-2:1984/EN 50082-1:1992 4 kV CD, 8 kV AD
IEC 801-3:1984/EN 50082-1:1992 3 V/m, 27-500 MHz
IEC 801-4:1988/EN 50082-1:1992 0.5 kV Sig. Lines, 1 kV Power Lines

Supplementary Information:

These products were tested in an HP 83480A mainframe.

These products herewith comply with the requirements of the Low Voltage Directive 73/23/EEC and the EMC Directive 89/336/EEC.

Santa Rosa, California, USA 10 September 1996


John Hiatt/Quality Engineering Manager

European Contact: Your local Hewlett-Packard Sales and Service Office or Hewlett-Packard GmbH,
Department ZQ/Standards Europe, Herrenberger Strasse 130, D-71034 Böblingen, Germany (FAX:
+49-7031-14-3143)

4

Options	4-2
Front-Panel Fiber-Optic Adapters	4-4
Power Cords	4-5
Agilent Technologies Service Offices	4-6

Reference

Options


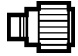





Table 4-1. Center Wavelength Options

Option	Center Wavelength	Option	Center Wavelength
Standard	1550 \pm 1 nm	462	1546.2 \pm 1 nm
130	1310 \pm 20 nm	469	1546.92 \pm 1 nm
327	1532.68 \pm 1 nm	477	1547.72 \pm 1 nm
335	1533.47 \pm 1 nm	485	1548.51 \pm 1 nm
343	1534.25 \pm 1 nm	493	1549.32 \pm 1 nm
350	1535.04 \pm 1 nm	501	1550.12 \pm 1 nm
358	1535.82 \pm 1 nm	509	1550.92 \pm 1 nm
366	1536.61 \pm 1 nm	517	1551.72 \pm 1 nm
374	1537.40 \pm 1 nm	525	1552.52 \pm 1 nm
382	1538.19 \pm 1 nm	533	1553.33 \pm 1 nm
390	1539 \pm 1 nm	534	1553.4 \pm 1 nm
398	1539.77 \pm 1 nm	541	1554.13 \pm 1 nm
406	1540.56 \pm 1 nm	549	1554.94 \pm 1 nm
414	1541.35 \pm 1 nm	557	1555.75 \pm 1 nm
421	1542.14 \pm 1 nm	566	1556.55 \pm 1 nm
429	1542.94 \pm 1 nm	570	1157 \pm 1 nm
430	1543 \pm 1 nm	574	1557.36 \pm 1 nm
437	1543.73 \pm 1 nm	582	1558.17 \pm 1 nm
445	1544.53 \pm 1 nm	590	1558.98 \pm 1 nm
453	1545.32 \pm 1 nm	598	1559.79 \pm 1 nm
461	1546.12 \pm 1 nm	605	1560.5 \pm 1 nm
		606	1560.61 \pm 1 nm

Table 4-2. Output Interface Options









Option	Description
011	Diamond HMS-10 fiber-optic input connector interface
013	DIN 47256 fiber-optic input connector interface
014	ST fiber-optic input connector interface
017	SC fiber-optic input connector interface
022	Angled contact fiber-optic output interface

Front-Panel Fiber-Optic Adapters

Front Panel Fiber-Optic Adapter	Description	Agilent Part Number
	Diamond HMS-10	81000AI
	FC/PC ^a	81000FI
	D4	81000GI
	SC	81000KI
	DIN	81000SI
	ST	81000VI
	Biconic	81000WI
Dust Covers		
	FC connector	1005-0594
	Diamond HMS-10 connector	1005-0593
	DIN connector	1005-0595
	ST connector	1005-0596
	SC connector	1005-0597

a. The FC/PC adapter is the standard adapter supplied with the instrument. Options 011, 013, 014, and 017 replace the standard interface.

Power Cords

Plug Type	Cable Part No.	Plug Description	Length (in/cm)	Color	Country
	8120-1351	Straight *BS1363A	90/228	Gray	United Kingdom, Cyprus, Nigeria, Zimbabwe, Singapore
	8120-1703	90°	90/228	Mint Gray	
	8120-1369	Straight *NZSS198/ASC	79/200	Gray	Australia, New Zealand
	8120-0696	90°	87/221	Mint Gray	
	8120-1689	Straight *CEE7-Y11	79/200	Mint Gray	East and West Europe, Saudi Arabia, So. Africa, India (unpolarized in many nations)
	8120-1692	90°	79/200	Mint Gray	
	8120-2857p	Straight (Shielded)	79/200	Coco Brown	
	8120-1378	Straight *NEMA5-15P	90/228	Jade Gray	United States, Canada, Mexico, Philippines, Taiwan
	8120-1521	90°	90/228	Jade Gray	
	8120-1992	Straight (Medical) UL544	96/244	Black	
	8120-2104	Straight *SEV1011	79/200	Mint Gray	Switzerland
	8120-2296	1959-24507 Type 12 90°	79/200	Mint Gray	
	8120-2956	Straight *DHCK107	79/200	Mint Gray	Denmark
	8120-2957	90°	79/200	Mint Gray	
	8120-4211	Straight SABS164	79/200	Jade Gray	Republic of South Africa India
	8120-4600	90°	79/200	Jade Gray	
	8120-4753	Straight MITI	90/230	Dark Gray	Japan
	8120-4754	90°	90/230	Dark Gray	

* Part number shown for plug is the industry identifier for the plug only. Number shown for cable is the Agilent Technologies part number for the complete cable including the plug.

Agilent Technologies Service Offices

Before returning an instrument for service, call the Agilent Technologies Instrument Support Center at (800) 403-0801, visit the Test and Measurement Web Sites by Country page at <http://www.tm.agilent.com/tmo/country/English/index.html>, or call one of the numbers listed below.

Agilent Technologies Service Numbers

Austria	01/25125-7171
Belgium	32-2-778.37.71
Brazil	(11) 7297-8600
China	86 10 6261 3819
Denmark	45 99 12 88
Finland	358-10-855-2360
France	01.69.82.66.66
Germany	0180/524-6330
India	080-34 35788
Italy	+39 02 9212 2701
Ireland	01 615 8222
Japan	(81)-426-56-7832
Korea	82/2-3770-0419
Mexico	(5) 258-4826
Netherlands	020-547 6463
Norway	22 73 57 59
Russia	+7-095-797-3930
Spain	(34/91) 631 1213
Sweden	08-5064 8700
Switzerland	(01) 735 7200
United Kingdom	01 344 366666
United States/Canada	(800) 403-0801

General Information	5-4
Electrostatic Discharge Information	5-7
Troubleshooting	5-9
If the output power is low	5-10
To check the line-power fuse	5-11
Performance Tests	5-13
Test 1. Digital Threshold	5-15
Test 2. Frequency Response (ANALOG IN)	5-17
Test 3. Electrical Return Loss (ANALOG IN)	5-20
Test 4. Electrical Return Loss (DIGITAL IN)	5-22
Test 5. Eye Quality (DIGITAL IN)	5-24
Test 6. STM-16/OC-48 Conformance	5-26
Test 7. OC-1 Conformance	5-28
Test 8. Output Power	5-31
Test 9. Output Wavelength	5-33
Configuring the pattern generator	5-35
Adjustment Procedures	5-36
To remove the instrument cover	5-38
Adjustment 1. Power Supply	5-39
Adjustment 2. Laser Bias and Control	5-41
Replaceable Parts	5-45

Servicing

Servicing

In this chapter, you'll find information on troubleshooting, testing performance, adjusting, and replacing parts in the instrument.

WARNING

The laser assembly, A2A1, in this instrument is not field serviceable.

Safety first!

Before servicing the Agilent 83430A, familiarize yourself with the safety markings on the instrument and the safety instructions in this manual. This instrument has been manufactured and tested according to international safety standards. To ensure safe operation of the instrument and the personal safety of the user and service personnel, the cautions and warnings in this manual must be heeded. Refer to the summary of safety considerations at the front of this manual.

WARNING

These servicing instructions are for use by qualified personnel only. To avoid electrical shock, do not perform any servicing unless you are qualified to do so.

WARNING

The opening of covers or removal of parts is likely to expose dangerous voltages. Disconnect the instrument from all voltage sources while it is being opened.

WARNING

The power cord is connected to internal capacitors that may remain live for five seconds after disconnecting the plug from its power supply.

WARNING

This is a Safety Class 1 Product (provided with a protective earthing ground incorporated in the power cord). The mains plug shall only be inserted in a socket outlet provided with a protective earth contact. Any interruption of the protective conductor inside or outside of the product is likely to make the product dangerous. Intentional interruption is prohibited.

WARNING

For continued protection against fire hazard, replace line fuse only with same type and ratings, (type T 0.315A/250V for 100/120V operation and 0.16A/250V for 220/240V operation). The use of other fuses or materials is prohibited.

WARNING

Use of controls or adjustment or performance of procedures other than those specified herein may result in hazardous radiation exposure.

General Information

Whenever you contact Agilent Technologies about your Agilent 83430A, have the complete serial number and option designation available. This will ensure you obtain accurate service information.

- Refer to [Table 5-1](#) for a list of internal labels.
- Refer to [Table 5-2 on page 5-5](#) for a list of service tools.
- Refer to [“Major Assemblies and Cables” on page 5-5](#) for the location of each major assembly and cable.

Clean the cabinet using a damp cloth only.

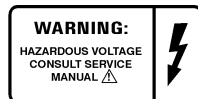
Protect against ESD damage

Electrostatic discharge (ESD) can damage or destroy electronic components. All work on electronic assemblies should be performed at a static-safe work station. Refer to [“Electrostatic Discharge Information” on page 5-7](#) for more information on preventing ESD.

WARNING

Improper internal adjustments may change the laser classification of this instrument. Always perform the adjustments as described in [“Adjustment Procedures” on page 5-36](#) after changing any assemblies.

Table 5-1. Internal Labels



This label warns you about hazardous voltages present on the power supply. Use extreme caution.

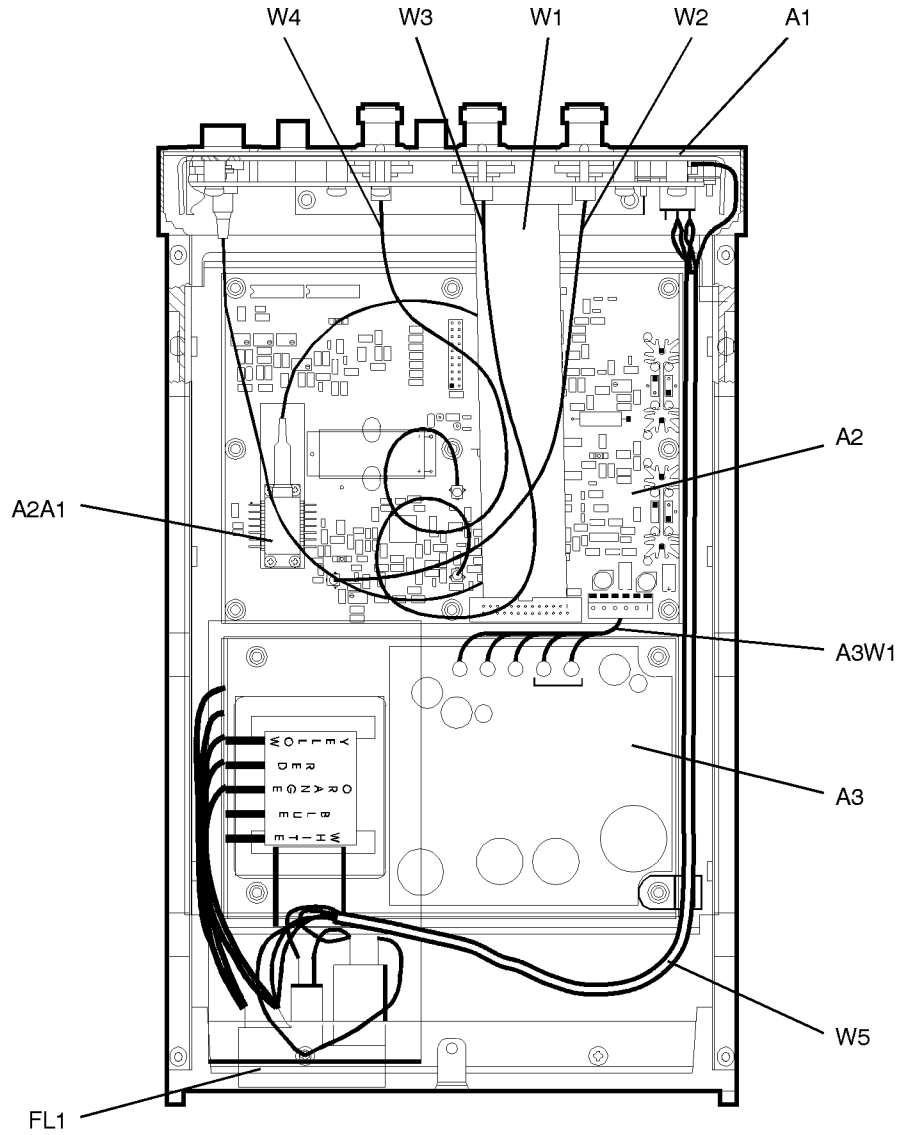
Table 5-2. Service Tools

Tool	Agilent Part Number
Small Pozidriv screwdriver	8710-0899
Wire cutter	8710-0012
Long-nose pliers	8710-1107
5.5 mm nut driver	8710-1220
7 mm nut driver	8710-1217
TORX T-10 driver	8710-1623
TORX T-15 driver	8710-1622

Table 5-3. Major Assemblies and Cables

Reference Designator	Description
A1	Front-Panel Assembly
A2	Main Board Assembly
A2A1	Laser (not field serviceable)
A3	Power Supply Board Assembly
A3W1	Power Harness Cable
W1	Control Cable for A1 Assembly
W2	RF Cable from ANALOG IN
W3	RF Cable from DIGITAL IN (ac coupled)
W4	RF Cable from DIGITAL IN (dc coupled)
W5	Line Switch Cable (includes FL1)
FL1	Line-Module Filter. Part of W5.

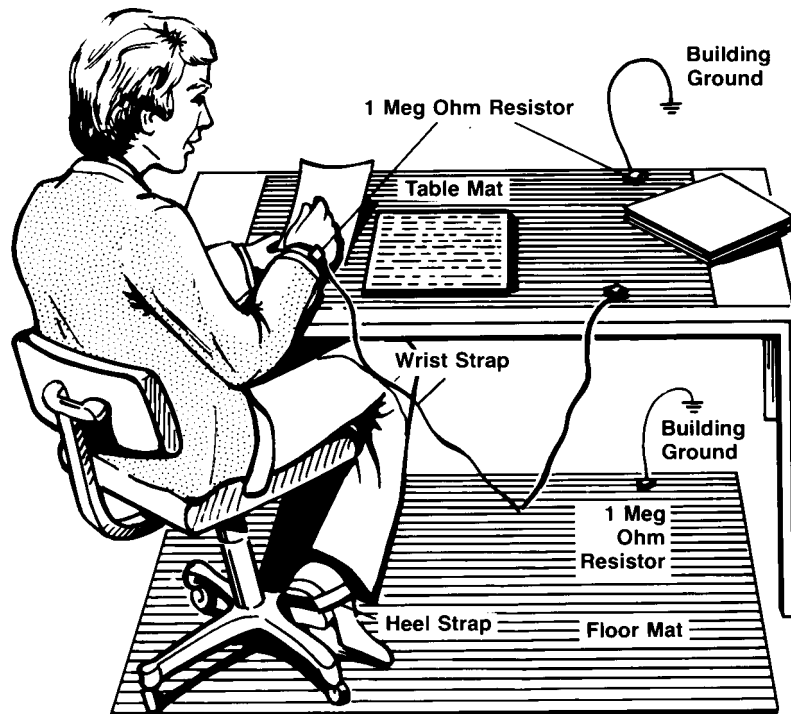
Servicing
General Information



Electrostatic Discharge Information

Electrostatic discharge (ESD) can damage or destroy electronic components. All work on electronic assemblies should be performed at a static-safe work station. The following figure shows an example of a static-safe work station using two types of ESD protection:

- Conductive table-mat and wrist-strap combination.
- Conductive floor-mat and heel-strap combination.



Both types, when used together, provide a significant level of ESD protection. Of the two, only the table-mat and wrist-strap combination provides adequate ESD protection when used alone.

Electrostatic Discharge Information

To ensure user safety, the static-safe accessories must provide at least 1 M Ω of isolation from ground. Refer to [Table 5-4](#) for information on ordering static-safe accessories.

WARNING

These techniques for a static-safe work station should not be used when working on circuitry with a voltage potential greater than 500 volts.

Table 5-4. Static-Safe Accessories

Agilent Part Number	Description
9300-0797	3M static control mat 0.6 m \times 1.2 m (2 ft \times 4 ft) and 4.6 cm (15 ft) ground wire. (The wrist-strap and wrist-strap cord are not included. They must be ordered separately.)
9300-0980	Wrist-strap cord 1.5 m (5 ft).
9300-1383	Wrist-strap, color black, stainless steel, without cord, has four adjustable links and a 7 mm post-type connection.
9300-1169	ESD heel-strap (reusable 6 to 12 months).

Troubleshooting

The following procedures are located in this section:

If the output power is low 5-10

To check the line-power fuse 5-11

WARNING

The opening of covers or removal of parts is likely to expose dangerous voltages. Disconnect the instrument from all voltage sources while it is being opened.

WARNING

The power cord is connected to internal capacitors that may remain live for five seconds after disconnecting the plug from its power supply.

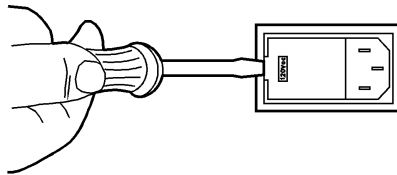
If the output power is low

Check for the following common problems:

- ❑ Clean the OPTICAL OUT connector as described in [“Cleaning Connections for Accurate Measurements”](#) on page 2-9.
- ❑ Perform the adjustment procedures.

To check the line-power fuse

- 1 Locate the line-input connector on the instrument's rear panel.
- 2 Disconnect the line-power cable if it is connected.
- 3 Use a small flat-blade screwdriver to pry open the fuse holder door.



fusedr

CAUTION

You must remove the voltage tumbler to change the voltage selector. Rotating the voltage tumbler while it is in the line module damages the line module.

- 4 Remove the voltage tumbler, and replace the tumbler so that the desired line voltage value shows through the small opening in the fuse holder door.
- 5 The fuse is housed in a small container next to the voltage tumbler. Insert the tip of a screwdriver on the side of the container and gently pull outward to remove the container.

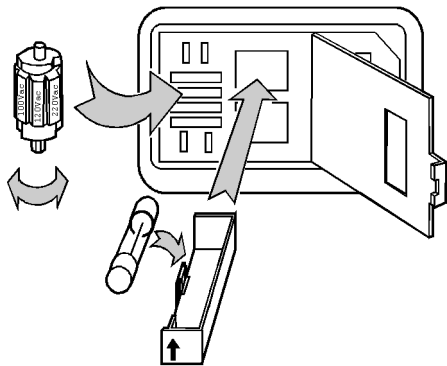
A spare fuse is stored below the line fuse.

- 6 Verify that the value of the line-voltage fuse is correct.
 - For 100/120V operation, use an IEC 127 5×20 mm, 0.315 A, 250 V, Agilent part number 2110-0449.
 - For 220/240V operation, use an IEC 127 5×20 mm, 0.16 A, 250 V, Agilent part number 2110-0448.

WARNING

For continued protection against fire hazard, replace line fuse only with same type and ratings, (type T 0.315A/250V for 100/120V operation and 0.16A/250V for 220/240V operation). The use of other fuses or materials is prohibited.

Servicing
Troubleshooting



linevit

Performance Tests

The procedures in this section test the Agilent 83430A's performance using the specifications listed in [Chapter 3, "Specifications and Regulatory Information"](#) as the performance standard. All of the tests are done manually without the aid of a computer. None of these tests require access to the interior of the instrument. Allow the Agilent 83430A to warm up for 15 minutes before doing any of the performance tests.

If the instrument fails any performance test, perform the adjustment procedures located in ["Adjustment Procedures"](#) on page 5-36.

The following performance tests are included in this section:

- Test 1. Digital Threshold 5-15
- Test 2. Frequency Response (ANALOG IN) 5-17
- Test 3. Electrical Return Loss (ANALOG IN) 5-20
- Test 4. Electrical Return Loss (DIGITAL IN) 5-22
- Test 5. Eye Quality (DIGITAL IN) 5-24
- Test 6. STM-16/OC-48 Conformance 5-26
- Test 7. OC-1 Conformance 5-28
- Test 8. Output Power 5-31
- Test 9. Output Wavelength 5-33

Calibration Cycle

This instrument requires periodic verification of performance. The instrument should have a complete verification of specifications at least once every two years.

CAUTION

Option 022 instruments have an angled-fiber output. Be sure to use an angled-fiber patchcord during testing. If you do not have an angled-fiber patchcord available, you can purchase the required accessories from Agilent Technologies. These include the Agilent 81000SI DIN connector interface and the Agilent 81113PC DIN 4108 (angled) to Super-PC patchcord.

Servicing
Performance Tests

Table 5-5. Required Test Equipment

Equipment	Agilent Recommended Model	Critical Specifications
Optical spectrum analyzer	71450B	Equipment substitution not recommended. Wavelength accuracy must be ± 0.5 nm or better.
Digital voltage meter	34401A	≥ 150 Vdc range. 1 mV accuracy.
Digitizing oscilloscope	83480A with 83483A and 83485A	>10 GHz bandwidth ≤ 10 ps/div amplitude scale ≥ 500 MHz triggering, optical input with built-in SDH filter. Voltage and time histograms. Built-in SONET/SDH eye mask conformance test.
Pattern generator	70841B	0.1 to 3.3 Gb/s, $2^{23}-1$ PRBS. 250 mV p-p to 1200 mV p-p output. Rise/fall times ≤ 100 ps. Clock/32 trigger. 50Ω output.
Clock source	70311A	16.1 MHz to 3.3 GHz, 50Ω , output. <120 dBc noise Sinewave or Squarewave, 500 mV p-p to 1500 mV p-p
Mainframe	70001A	Specific mainframe for pattern generator and clock source.
Optical power meter	—	1310/1550 nm calibration. FC connector 0.1 dB resolution, 0.2 dB accuracy -60 to +20 dBm range
Network analyzer	8752C Option 003	300 kHz to 3 GHz range, 50Ω output 1 port reflection measurement. Through measurement ports.
Type N calibration kit	85032B	Type N open, short, 50Ω calibration terminations (female connections)
Lightwave detector	83440B Option 050	DC to 6 GHz, 1300/1550 nm. 50Ω output.
SDH filter	87441A	2488 Mb/s SDH filter. SMA connectors on both ends.
Filter	Mini-Circuits model SBLP-39	39 Mb/s filter. SMA connectors on both ends.

Test 1. Digital Threshold

- 1 Connect the equipment as shown in the following figure.

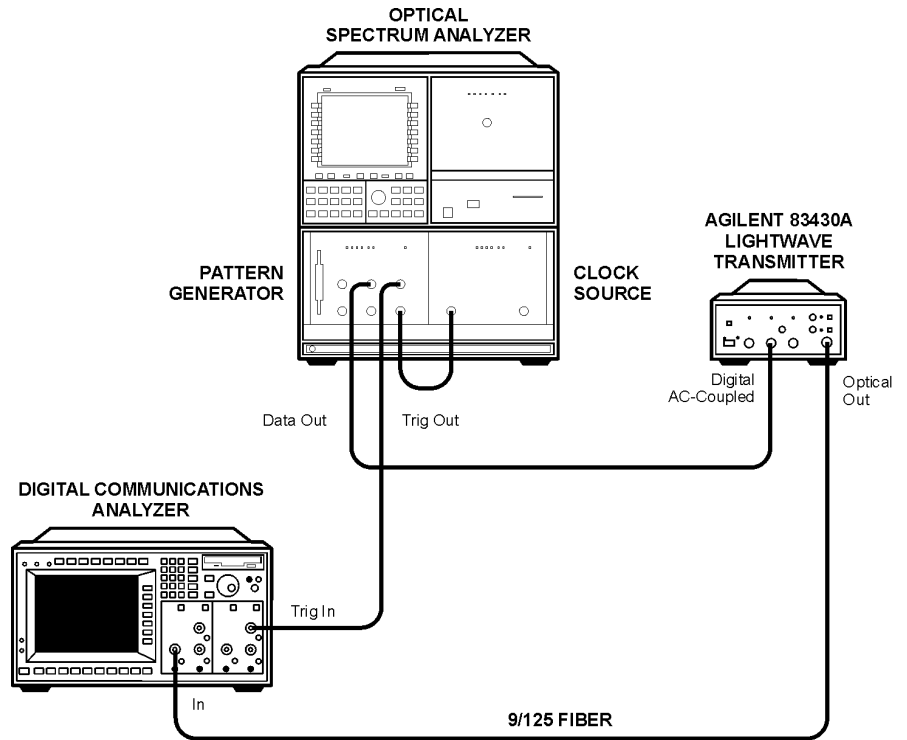


Figure 5-1. Equipment setup

tsviewtx

Performance Tests

- 2 Set the pattern generator to the following settings. For step-by-step instructions on setting these values, refer to [“Configuring the pattern generator” on page 5-35](#).

data pattern	$2^{23}-1$
data amplitude (ECL)	850 mV p-p
data output high level (ECL)	-900 mV
data termination	-2 V
trigger mode	CLOCK / 23
trigger pattern23 zeros
clock rate	2.48832 GHz
clock amplitude	850 mV

- 3 Press the Agilent 83430A’s front-panel SELECT key repeatedly until the DIGITAL IN AC COUPLED light is on.
- 4 While turning the Agilent 83430A’s front-panel DIGITAL THRESHOLD knob fully clockwise and fully counterclockwise, observe the following items:
 - The eye is not squelched for any setting of the knob.
 - The eye diagram’s zero crossing varies as the knob is turned.
 - The eye diagram’s zero crossing should be approximately in the middle when the knob is set to its center position.
- 5 Disconnect the modulation signal from the DIGITAL IN AC COUPLED connector, and connect it to the DIGITAL IN DC COUPLED connector.
- 6 Press the Agilent 83430A’s front-panel SELECT key so that the DIGITAL IN DC COUPLED light is on.
- 7 While turning the Agilent 83430A’s front-panel DIGITAL THRESHOLD knob fully clockwise and fully counterclockwise, observe the following items:
 - The eye is not squelched for any setting of the knob.
 - The eye diagram’s zero crossing varies as the knob is turned.

Test 2. Frequency Response (ANALOG IN)

This performance test checks the 80% modulation level and the frequency response at that level.

- 1 Connect the equipment as shown in the following figure.

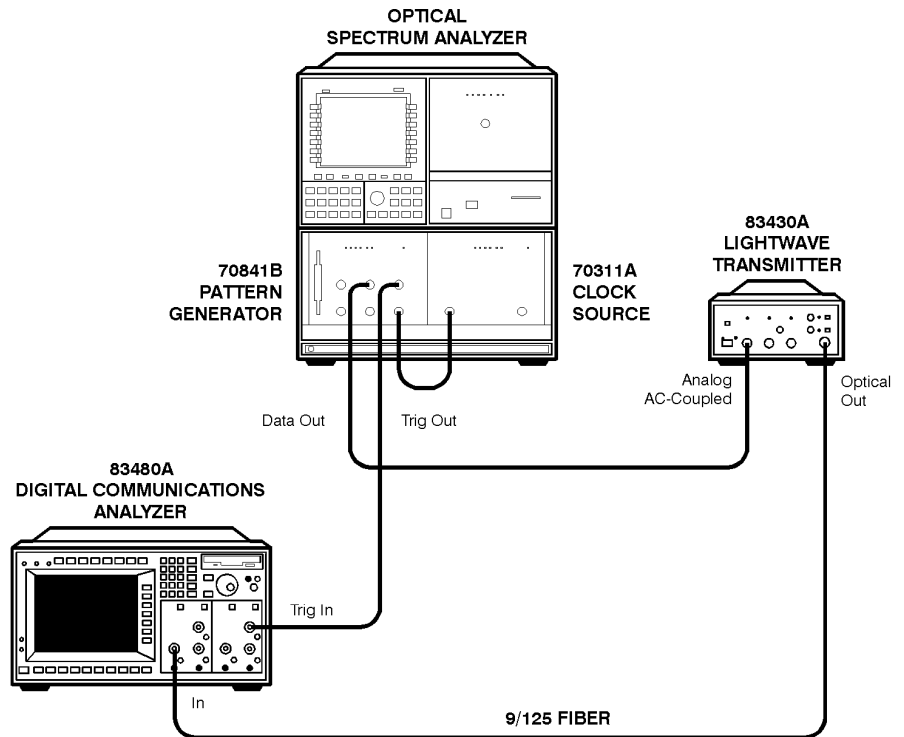


Figure 5-2. Equipment setup

ts80mod

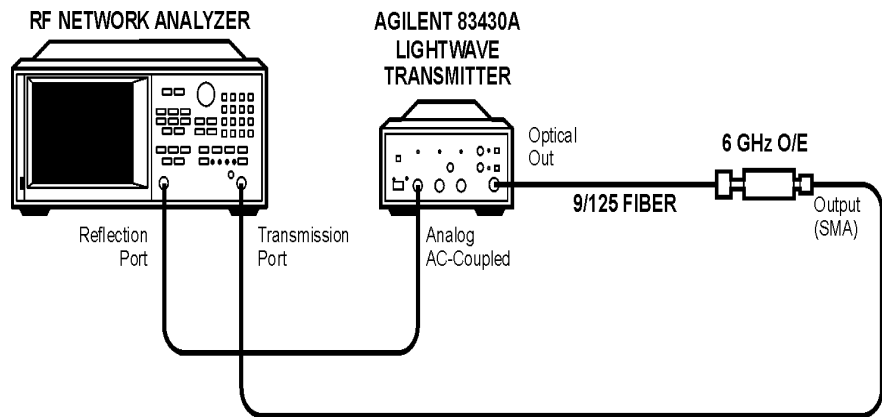
- 2 Set the pattern generator to the following settings. For step-by-step instructions on setting these values, refer to [“Configuring the pattern”](#)

Performance Tests

[generator” on page 5-35.](#)

data pattern.	$2^{23}-1$
data amplitude (ECL).	850 mV p-p
data output high level (ECL)	-900 mV
data termination	-2 V
trigger mode	CLOCK / 23
trigger pattern.23 zeros
clock rate.	2.48832 GHz
clock amplitude.	850 mV

- 3** Press the Agilent 83430A’s front-panel SELECT key repeatedly until the ANALOG IN AC COUPLED light is on.
- 4** On the Agilent 83480A digital communications analyzer, perform the following tasks:
 - a** Turn the optical channel on. All other channels should be turned off.
 - b** Enable the internal OC-48 filter.
- 5** Connect the Agilent 83430A to the optical channel.
- 6** Disconnect the modulation input cable from the ANALOG IN AC COUPLED connector.
- 7** On the Agilent 83480A, position voltage cursor 1 to the displayed unmodulated level.
- 8** Turn the Agilent 83430A’s LINE switch off.
- 9** On the Agilent 83480A, position voltage cursor 2 to the displayed dark level voltage. Do not disconnect the fiber-optic cable until the 80% modulation index is measured.
- 10** Measure the voltage difference between the two cursors, multiply this value by 0.8, and position cursor 2 to where the difference equals this calculated value.
- 11** Turn the Agilent 83430A’s LINE switch on.
- 12** Reconnect the modulation input cable to the ANALOG IN AC COUPLED connector.
- 13** Increase the pattern generator’s data amplitude until the average (lower) peak of the eye reaches the level indicated by voltage cursor 2.
- 14** The data amplitude shown on the pattern generator’s display should be between 1.05 V p-p and 1.9 V p-p.
- 15** Connect the equipment as shown in the following figure.



tsanalog

Figure 5-3. Equipment setup

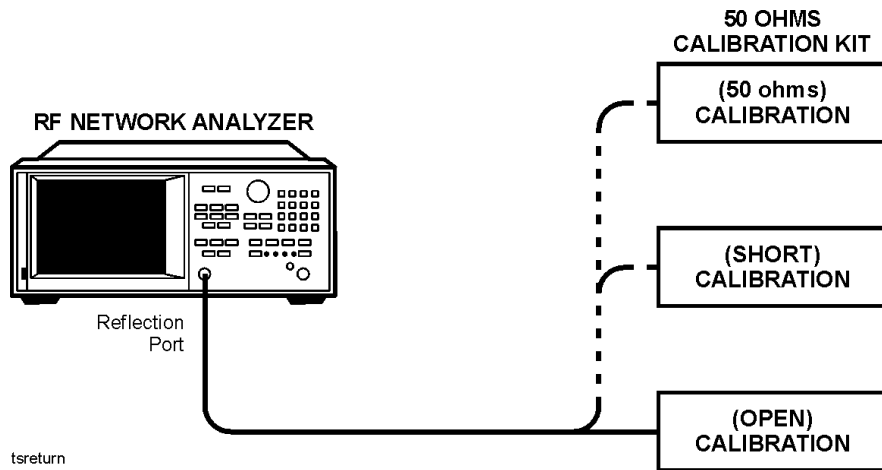
- 16 Press the PRESET key on the Agilent 8752C network analyzer.
- 17 Set the Agilent 8752C to the following settings:

RF output power	-10 dBm
amplitude scale	3 dB/division
start frequency	0.3 MHz
stop frequency	3000 MHz
marker 1 (reference marker)	0.3 MHz
averaging	on
averaging number	16
trace points	801
- 18 Press the MEAS key on the Agilent 8752C. Then, press *Transmissn*. A through calibration is not required.
- 19 Verify that the -3 dB point is greater than 2.5 GHz.

Test 3. Electrical Return Loss (ANALOG IN)

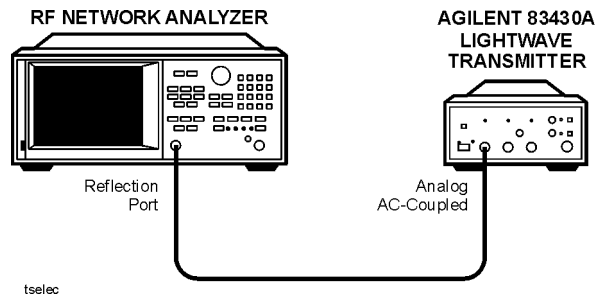
This procedure measures the electrical return loss for this connection when the drive level is less than the power required for 80% modulation.

- 1 Press the PRESET key on the Agilent 8752C network analyzer.



tsreturn
Figure 5-4. Calibration kit connections

- 2 With averaging on, calibrate the Agilent 8752C for a 1-port reflection measurement at the end of the RF output cable. Use the calibration termination kit. A through calibration is not required.
- 3 Connect the equipment as shown in the following figure.



tselect
Figure 5-5. Equipment setup

4 Set the Agilent 8752C to the following settings:

RF output power -10 dBm
amplitude scale 3 dB/division
start frequency 0.3 MHz
stop frequency 3000 MHz
marker 1 (reference marker) 0.3 MHz
averaging on
averaging number 16
trace points 801

5 Press the Agilent 83430A's front-panel SELECT key repeatedly until the ANALOG IN AC COUPLED light is on.

6 Press the MEAS key on the Agilent 8752C. Then, press *Reflection*.

7 Restart averaging on the Agilent 8752C.

8 Confirm that the return loss meets the following requirements:

≤ 1.0 GHz >12.07 dB
1 GHz to 2 GHz >9.07 dB
2 GHz to 2.5 GHz >6.07 dB

Test 4. Electrical Return Loss (DIGITAL IN)

- 1 Press the PRESET key on the Agilent 8752C network analyzer.
- 2 With averaging on, calibrate the Agilent 8752C for a 1-port reflection measurement at the end of the RF output cable. Use the calibration termination kit. A through calibration is not required.
- 3 Connect the equipment as shown in the following figure.

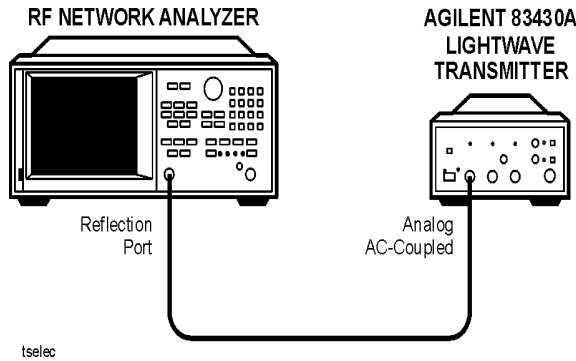


Figure 5-6. Equipment setup

- 4 Press the Agilent 83430A's front-panel SELECT key so that the DIGITAL IN AC COUPLED light is on.
- 5 Restart averaging on the Agilent 8752C.
- 6 Confirm that the return loss meets the following requirements:

≤ 1.0 GHz	>12.07 dB
1 GHz to 2 GHz	>9.07 dB
2 GHz to 2.5 GHz	>6.07 dB
- 7 Disconnect the RF cable from the DIGITAL IN AC COUPLED connector, and reconnect the cable to the DIGITAL IN DC COUPLED connector.
- 8 Press the Agilent 83430A's front-panel SELECT key so that the DIGITAL IN DC COUPLED light is on.
- 9 Restart averaging on the Agilent 8752C.

10 Confirm that the return loss meets the following requirements:

- ≤ 1.0 GHz >12.07 dB
- 1 GHz to 2 GHz >9.07 dB
- 2 GHz to 2.5 GHz >6.07 dB

11 Disconnect the Agilent 8752C from the Agilent 83430A.

Test 5. Eye Quality (DIGITAL IN)

This test checks the quality of the eye diagram with a modulation rate of 2.48832 Gb/s.

- 1 Connect the equipment as shown in the following figure.

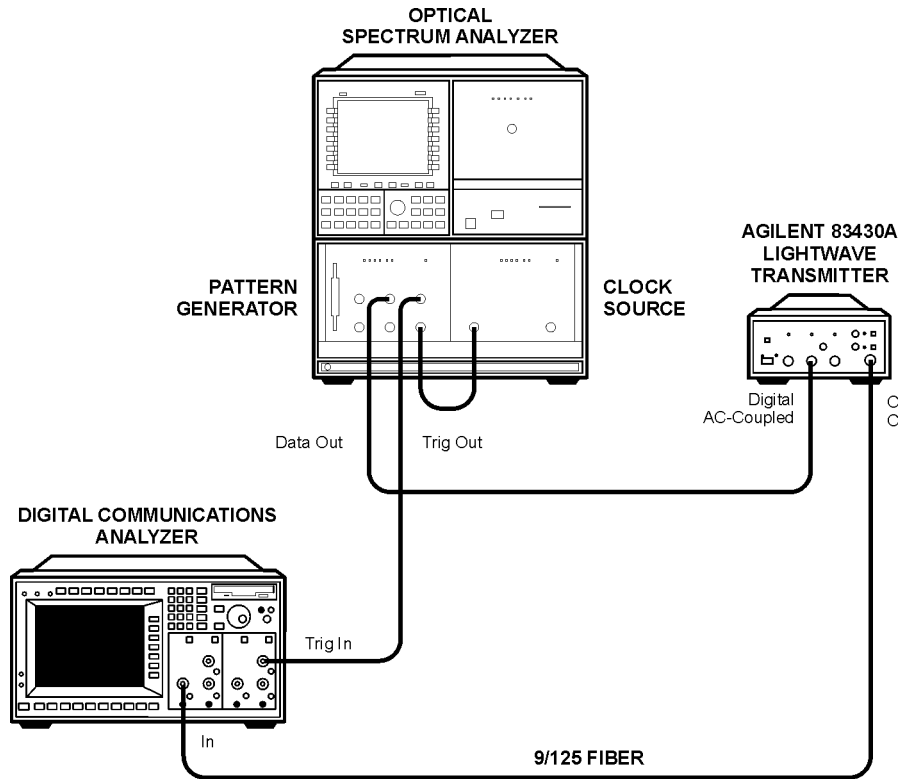


Figure 5-7. Equipment setup for eye quality

- 2 Set the pattern generator to the following settings. For step-by-step instructions on setting these values, refer to [“Configuring the pattern generator” on page 5-35](#).

data pattern $2^{23}-1$
 data amplitude (ECL) 850 mV p-p
 data output high level (ECL) -900 mV
 data termination -2 V
 trigger mode. CLOCK / 23
 trigger pattern 23 zeros
 clock rate 2.48832 GHz
 clock amplitude 850 mV

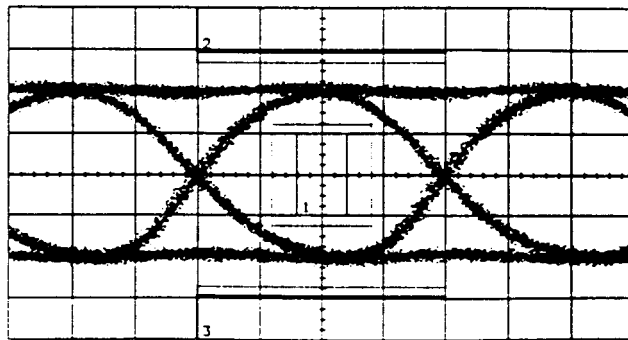
- 3 Press the Agilent 83430A’s front-panel SELECT key so that the DIGITAL IN AC COUPLED light is on.

- 4 Set the Agilent 83480A digital communications analyzer to the following settings:

attenuation. 1x
 probe attenuation 1
 trigger level -400 mV
 display persistence 1s
 trigger mode. on
 channel bandwidth ≤ 12.5 GHz

- 5 On the Agilent 83480A, enable the internal OC-48 filter. Adjust the amplitude scale, time scale, and offsets as needed.

- 6 Verify that the quality of the eye is similar to the following example.



Test 6. STM-16/OC-48 Conformance

- 1 Connect the equipment as shown in the following figure.

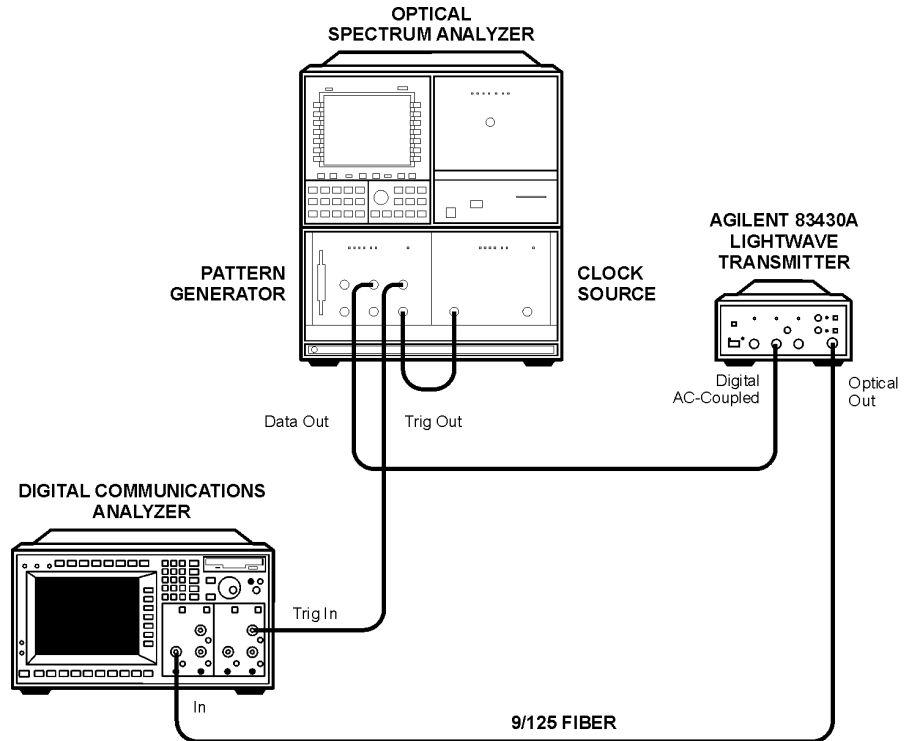


Figure 5-8. Equipment setup for eye quality

- 2 Set the pattern generator to the following settings. For step-by-step instructions on setting these values, refer to [“Configuring the pattern generator” on page 5-35](#).

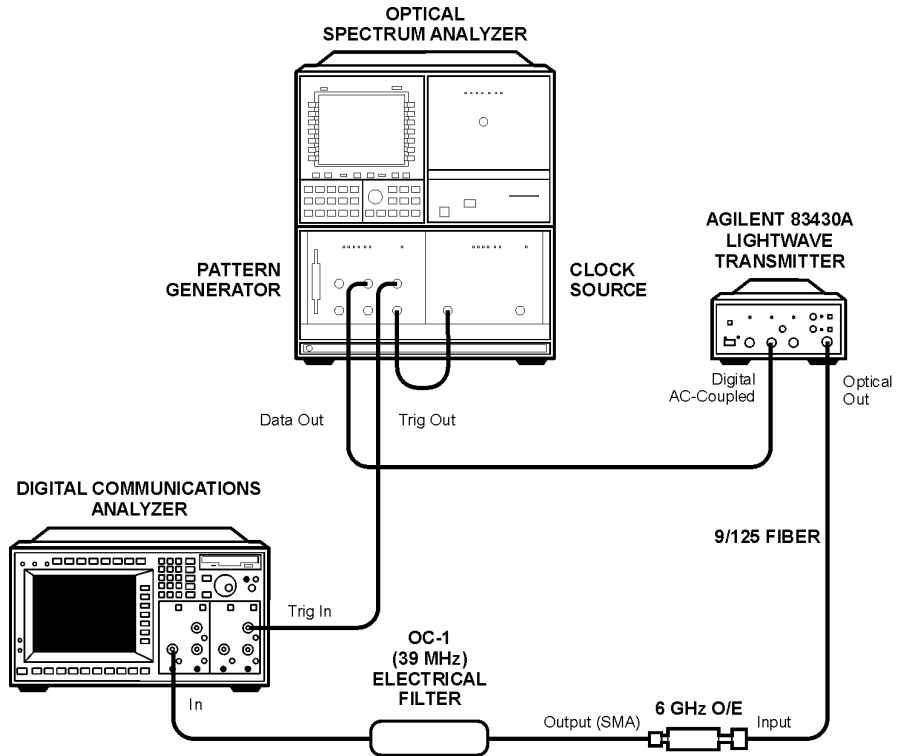
data pattern	2 ²³ -1
data amplitude (ECL)	850 mV p-p
data output high level (ECL)	-900 mV
data termination	-2 V
clock trigger	on
trigger mode	CLOCK / 23
trigger pattern	23 zeros
clock rate	2.48832 GHz
clock amplitude	850 mV

- 3** Turn the Agilent 83430A on, and press both front-panel PRESET/VARIABLE buttons so that the WAVELENGTH ADJUST and BIAS ADJUST lights are off.
- 4** On the Agilent 83480A digital communications analyzer, adjust the amplitude scale, time scale, and offsets as needed.
- 5** Adjust the Agilent 83430A's front-panel DIGITAL THRESHOLD knob so that a zero crossing occurs at center screen (approximate 50% crossing).
- 6** On the Agilent 83480A, perform the following steps:
 - a** Turn the optical channel on. Turn all other channels off.
 - b** Enable the internal OC-48 filter.
 - c** Press the blue shift key and then press MEAS EYE.
 - d** Press *Extinction ratio*.
 - e** Press *Continue* to activate the color grade.
 - f** Press *Dark cal*, and follow the instructions on the screen.
 - g** When the dark calibration is complete, press *Format* to select decibels.
 - h** Press *Enter* to complete the measurement setup.
- 7** Clear the Agilent 83480A's display, and allow adequate time for the extinction ratio measurement to settle.
- 8** The extinction ratio should measure greater than 9.0 dB.
- 9** On the Agilent 83480A, set the persistence to 1s and turn off the color grade.
- 10** Press the blue shift key and then press MASK TEST.
- 11** Press *Mask Test On*.
- 12** Press *Create Mask* and then *Standard*. Select the OC-48 mask.
- 13** Press *Done*.
- 14** Set the mask margin to 10%.
- 15** Press *Mask Align* to center the mask on the eye.

Repeat this step as needed if the vertical dashed lines do not occur at the crossing waist on either side of the eye.
- 16** Press *Run Until*, and wait for 300 waveforms to be processed.
- 17** Press the blue shift key and then press Eye mask to display the eye mask results. Verify that there are no mask or margin hits.

Test 7. OC-1 Conformance

- 1 Connect the equipment as shown in the following figure.



^{tsoc1}
Figure 5-9. Equipment setup for OC-1 conformance

- 2** Set the pattern generator to the following settings. For step-by-step instructions on setting these values, refer to “[Configuring the pattern generator](#)” on page 5-35.

data pattern	$2^{23}-1$
data amplitude (ECL)850 mV p-p
data output high level (ECL)	-900 mV
data termination	-2 V
trigger mode.	CLOCK / 23
trigger pattern	23 zeros
clock rate	51.84 MHz
clock amplitude850 mV

- 3** On the Agilent 83480A digital communications analyzer, perform the following steps:
- a** Press the blue shift key and then press MEAS EYE.
 - b** Press *Extinction ratio*.
 - c** Press *Continue* to activate the color grade.
 - d** Press *Dark cal*, and follow the instructions on the screen.
 - e** When the dark calibration is complete, press *Format* to select decibels.
 - f** Press *Enter* to complete the measurement setup.
- 4** Clear the Agilent 83480A’s display, and allow adequate time for the extinction ratio measurement to settle.
- 5** The extinction ratio should measure greater than 9.0 dB.
- 6** Turn off the Agilent 83480A’s color grade feature, and set the persistence to 1s.
- 7** On the Agilent 83480A, set the persistence to 1s.
- 8** Press the blue shift key and then press MASK TEST.
- 9** Press *Mask Test On*.
- 10** Press *Create Mask* and then *Standard*. Select the OC-1 mask.
- 11** Press *Done*.
- 12** Set the mask margin to 20%.
- 13** Press *Mask Align* to center the mask on the eye.

Repeat this step as needed if the vertical dashed lines do not occur at the crossing waist on either side of the eye.

Performance Tests

- 14 Press *Run Until*, and wait for 300 waveforms to be processed.
- 15 Press the blue shift key and then press Eye mask to display the eye mask results. Verify that there are no mask or margin hits.

Test 8. Output Power

- 1 Connect the Agilent 83430A's OPTICAL OUT connector to a optical power meter.
- 2 Disconnect any cables connected to the Agilent 83430A's ANALOG IN or DIGITAL IN input connectors.
- 3 Turn the Agilent 83430A on, and press the front-panel PRESET/VARIABLE button so that the BIAS ADJUST light is off.
- 4 Press the Agilent 83430A's front-panel SELECT key repeatedly until the DIGITAL IN DC COUPLED light is on.
- 5 Verify that the optical output power measures 10.0 dBm \pm 0.2 dB.
- 6 Press the front-panel PRESET/VARIABLE button so that the BIAS ADJUST light is on.
- 7 Turn the front-panel BIAS ADJUST knob fully clockwise.
- 8 Verify that the optical output power does not exceed -2.5 dBm.
- 9 Turn the front-panel BIAS ADJUST knob fully counterclockwise.
- 10 Connect the pattern generator's output to the Agilent 83430A's DIGITAL IN DC COUPLED input connector.
- 11 Configure the Agilent 70841B pattern generator to output an ECL logic level 1:
 - a Set the pattern generator to the following settings. For step-by-step instructions on setting these values, refer to [“Configuring the pattern generator” on page 5-35](#).

data pattern.	$2^{23}-1$
data amplitude (ECL).	850 mV p-p
data output high level (ECL)	-900 mV
data termination	-2 V
trigger mode	CLOCK / 23
trigger pattern.	23 zeros
clock rate.	51.84 MHz
clock amplitude.	850 mV
 - b Press the left-side *edit usr-pat* softkey.
 - c Press *CURRENT PATTERN, more 1 of 3, set pat length*, enter the value 8, and then press *ENTER*.
 - d Press *BIN HEX* so that *HEX* is underlined.
 - e Press *more 2 of 3* and then press the *F* softkey twice.

Performance Tests

- f** Press *more 3 of 3*, *more 1 of 3*, and then *set pat label*.
- g** Use the displayed softkeys to create a label to identify this new pattern. It will minimize confusion as you use the pattern generator. Enter the suggested label ALL ONES. Press *FINISH ENTRY* when you have finished entering all the letters in the label.
- h** Press *more 2 of 3*, *more 3 of 3*, *save pattern*, and then *INTERNAL PATT 1*.
- i** Press the left-side *select pattern* softkey.
- j** Press *user pattern* and then *INTERNAL PATT 1*.
- 12** Set the BIAS ADJUST potentiometer fully clockwise, then verify that the optical output power does not exceed +2.5 dBm.
- 13** Remove the cable from the DIGITAL IN DC COUPLED input connector.
- 14** Press the Agilent 83430A's front-panel SELECT key repeatedly until the ANALOG IN AC COUPLED light is on.
- 15** Make sure that the front-panel BIAS ADJUST knob is fully clockwise.
- 16** Verify that the optical output power does not exceed +0.5 dBm.
- 17** Turn the BIAS ADJUST knob fully counterclockwise.
- 18** The optical power should measure between -2.0 dBm and -5.0 dBm.

Test 9. Output Wavelength

- 1 Connect the equipment as shown in the following figure.

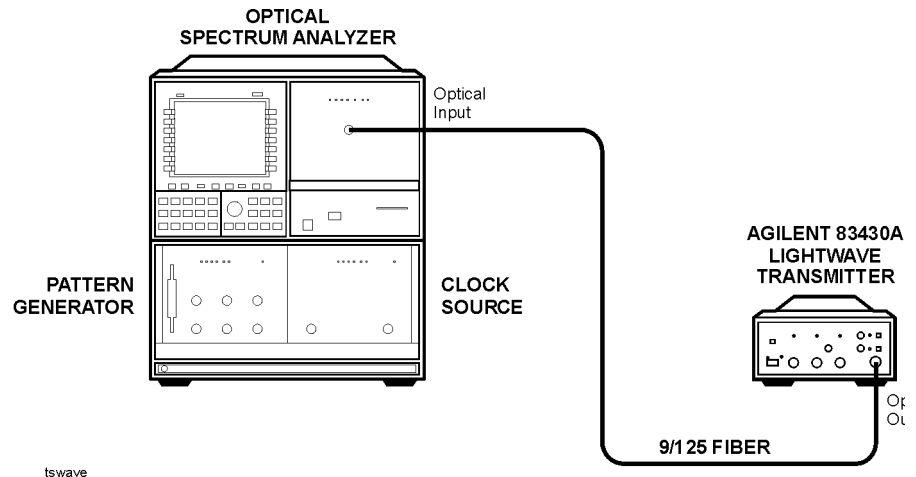


Figure 5-10. Equipment setup for output wavelength

- 2 Turn on the Agilent 83430A and the optical spectrum analyzer, and allow them to warm up for 30 minutes.
- 3 Perform a user wavelength calibration of the optical spectrum analyzer as described in the User's Guide for the optical spectrum analyzer.
- 4 Disconnect any cables connected to the Agilent 83430A's ANALOG IN or DIGITAL IN input connectors.
- 5 On the optical spectrum analyzer, press the AUTO ALIGN key.
- 6 When the automatic alignment has finished, press *Waveln*, *MORE 1 of 2*, and then *cal menu*.
- 7 Press *PWR CAL On Off* so that *On* is underlined. Press *WL CAL On Off* so that *On* is underlined.

The USERCAL annotation should be shown on the optical spectrum analyzer's screen.

- 8 Center the waveform on the optical spectrum analyzer and set the wavelength span to 2 nm.

Performance Tests

- 9 Verify that the measured wavelength is within 1 nm of the Agilent 83430A's nominal value.

If the Agilent 83430A is an Option 130, the wavelength must be within 20 nm of the nominal value.

Configuring the pattern generator

This procedure shows you, step-by-step, how to configure the Agilent 70841B pattern generator settings for the performance tests and adjustment procedures. It is assumed, that the Agilent 70311A clock source is configured in the modular measurement system (MMS) mainframe as a slave to the pattern generator module. This allows you to change the clock source's frequency from the pattern generator. If your clock source is not configured as a slave module to the pattern generator, you can still set its frequency using its own menu. Consult the user manuals for these products to learn how to correctly install and operate them.

- 1** Turn on the MMS system, and display the menu for the pattern generator.
- 2** Press the green INSTR PRESET key.
- 3** Press the left-side *select pattern* softkey.
- 4** Press the $2^{23}-1$ softkey.
- 5** Press the left-side *trg o/p clk o/p* softkey.
- 6** Press *TRIGGER PAT CLK* so that *CLK* is underlined.
 This sets the trigger mode.
- 7** Press *CLOCK FREQ*, and enter the clock frequency.
- 8** Press *CLOCK AMPLTD*, and enter the clock amplitude.
- 9** Press the left-side *dat o/p err-add* softkey, *more 2 of 2*, and then *DAT TRM OV-2V*, so that *-2V* is underlined.
 This sets the data termination level.
- 10** Press *more 2 of 2* and then *DATA ECL*.

Adjustment Procedures

Perform the adjustments in this section if the instrument fails any of its performance tests. Periodic adjustment is *not* required to maintain safety.

The following adjustment procedures are provided in this section:

To remove the instrument cover 5-38

Adjustment 1. Power Supply 5-39

Adjustment 2. Laser Bias and Control 5-41

WARNING

Improper internal adjustments may change the laser classification of this instrument. Always perform the adjustments exactly as described in this section.

CAUTION

Option 022 instruments have an angled-fiber output. Be sure to use an angled-fiber patchcord during testing. If you do not have an angled-fiber patchcord available, you can purchase the required accessories from Agilent Technologies. These include the Agilent 81000SI DIN connector interface and the Agilent 81113PC DIN 4108 (angled) to Super-PC patchcord.

WARNING

Do not remove or relocate any shunt jumpers located on any printed circuit assembly.

Table 5-6. Required Test Equipment

Equipment	Agilent Recommended Model	Critical Specifications
Digital voltage meter	34401A	≥150 Vdc range. 1 mV accuracy.
Digitizing oscilloscope	83480A with 83483A and 83485A	>10 GHz bandwidth ≤10 ps/div amplitude scale ≥500 MHz triggering, optical input with built-in SDH filter. Voltage and time histograms. Built-in SONET/SDH eye mask conformance test.
Pattern generator	70841B	0.1 to 3.3 Gb/s, 2 ²³ -1 PRBS. 250 mV p-p to 1200 mV p-p output. Rise/fall times ≤ 100 ps. Clock/32 trigger. 50Ω output.
Clock source	70311A	16.1 MHz to 3.3 GHz, 50Ω, output. <120 dBc noise Sinewave or Squarewave, 500 mV p-p to 1500 mV p-p
Mainframe	70001A	Specific mainframe for pattern generator and clock source.
Optical power meter	—	1310/1550 nm calibration. FC connector 0.1 dB resolution, 0.2 dB accuracy -60 to +20 dBm range

To remove the instrument cover

CAUTION

Electrostatic discharge (ESD) can damage or destroy electronic components. All work on electronic assemblies should be performed at a static-safe work station. Refer to [“Electrostatic Discharge Information”](#) on page 5-7 for more information on preventing ESD.

- 1 Disconnect the power cord from the instrument.
- 2 Position the instrument so that you are looking at the rear panel.
- 3 Use a T-15 TORX driver to back out the screw that attaches the top cover to the instrument.

Note that the screw is permanently secured to the cover.

- 4 After the screw is backed out, slide the cover toward the rear of the instrument approximately 4 mm. Then, lift the cover off the instrument.

Adjustment 1. Power Supply

In this procedure, you'll adjust both the -12V and $+12\text{V}$ supplies. These supplies are located on the A3 Power Supply Assembly. Because the $+5\text{V ADJ}$ potentiometer is not used in this instrument, it is not adjusted.

- 1** Connect the line-power cord to the Agilent 83430A's rear panel connector.
- 2** Turn on the Agilent 83430A.
- 3** Measure the dc voltage between the -0UT (violet wire) and $+0\text{UT}$ (black wire) terminals located on the A3 assembly. Adjust the -12V ADJ potentiometer so that the voltage measures between -5.15 Vdc and -5.20 Vdc .
- 4** Measure the dc voltage between the $+0\text{UT}$ (red wire) and COM (black wire) terminals. Adjust the $+12\text{V ADJ}$ potentiometer so that the voltage measures between $+11.8\text{ Vdc}$ and $+12.0\text{ Vdc}$.
- 5** If any of the potentiometer were adjusted in this procedure, you must perform the steps in "[Adjustment 2. Laser Bias and Control](#)" on page 5-41.

Servicing
Adjustment Procedures

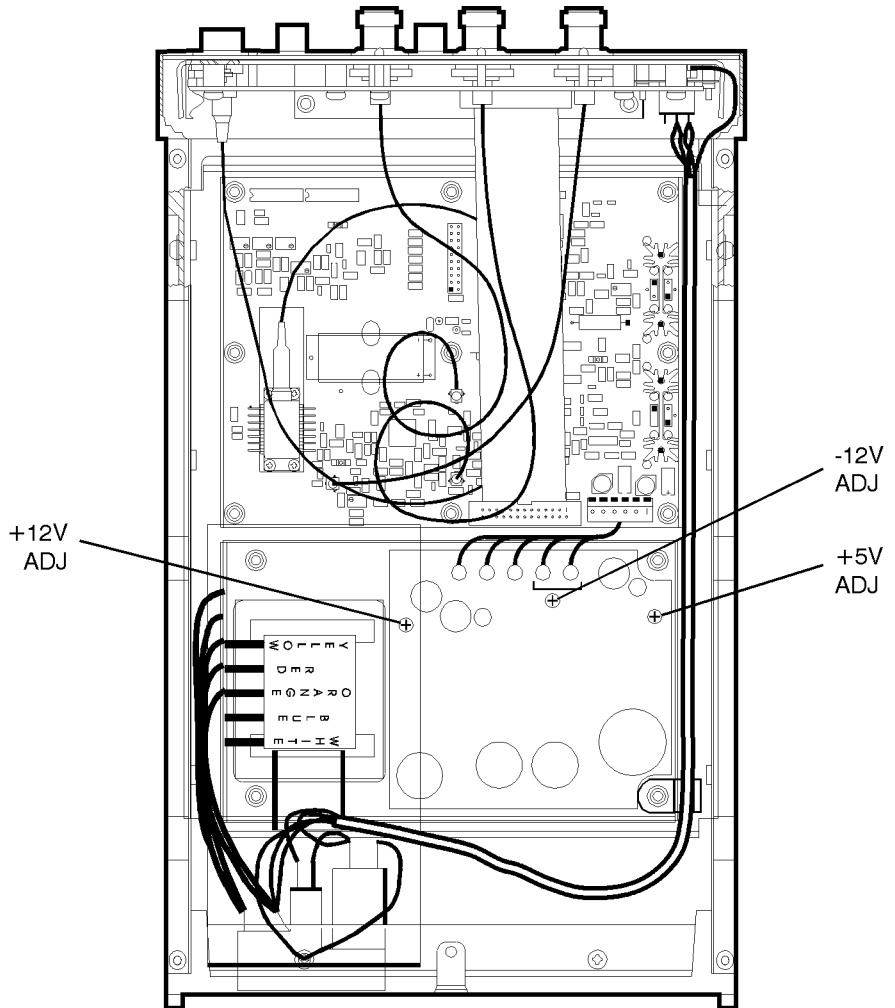


Figure 5-11. Location of A3 power supply adjustments

Adjustment 2. Laser Bias and Control

- 1 Locate each adjustment potentiometer shown in the following figure. Turn each potentiometer fully counterclockwise.

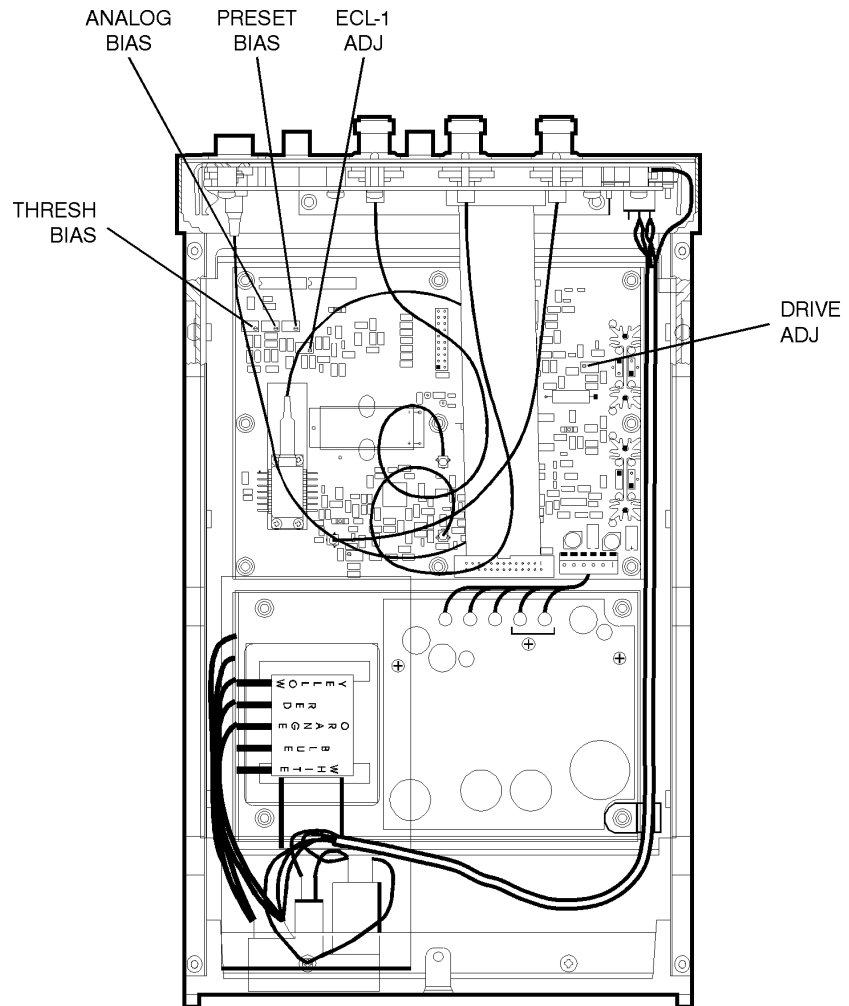


Figure 5-12. Location of A2 main board adjustments

Adjustment Procedures

- 2 Connect an optical power meter to the Agilent 83430A's front-panel OPTICAL OUT connector. Use a good quality optical fiber (9/125 μm) and make sure the fiber is clean before connecting.
- 3 Turn the Agilent 83430A on, and press both front-panel PRESET/VARIABLE buttons so that the WAVELENGTH ADJUST and BIAS ADJUST lights are off.
- 4 Press the SELECT key repeatedly until the DIGITAL IN DC COUPLED light is on.
- 5 Adjust the THRESH BIAS potentiometer so that the output power measures -10.0 ± 0.2 dBm.
- 6 Connect the output of the pattern generator to the Agilent 83430A's front-panel DIGITAL IN DC COUPLED connector.
- 7 Configure the Agilent 70841B pattern generator to output an ECL logic level 1:
 - a Set the pattern generator to the following settings. For step-by-step instructions on setting these values, refer to [“Configuring the pattern generator” on page 5-35](#).

data pattern	$2^{23}-1$
data amplitude (ECL)	850 mV p-p
data output high level (ECL)	-900 mV
data termination	-2 V
trigger mode	CLOCK / 23
trigger pattern23 zeros
clock rate	51.84 MHz
clock amplitude	850 mV
 - b Press the left-side *edit usr-pat* softkey.
 - c Press *CURRENT PATTERN*, *more 1 of 3*, *set pat length*, enter the value 8, and then press *ENTER*.
 - d Press *BIN HEX* so that *HEX* is underlined.
 - e Press *more 2 of 3* and then press the *F* softkey twice.
 - f Press *more 3 of 3*, *more 1 of 3*, and then *set pat label*.
 - g Use the displayed softkeys to create a label to identify this new pattern. It will minimize confusion as you use the pattern generator. Enter the suggested label ALL ONES. Press *FINISH ENTRY* when you have finished entering all the letters in the label.
 - h Press *more 2 of 3*, *more 3 of 3*, *save pattern*, and then *INTERNAL PATT 1*.
 - i Press the left-side *select pattern* softkey.

- j** Press *user pattern* and then *INTERNAL PATT 1*.
- 8** Adjust the ECL -1 ADJ potentiometer so that the optical power measures +1.5 dBm.
- 9** On the pattern generator, press the left-side *select pattern* softkey.
- 10** Press the $2^{23}-1$ softkey.
- 11** Locate the test points that are labeled "P4" on the A2 Main Board Assembly. Measure the voltage across pins 15 and 16 (LOOP test points).
- 12** Adjust the DRIVE ADJ potentiometer so that the voltage measured across pins 15 and 16 varies less than 20 mV when the pattern generator signal is present and then removed.
- 13** Disconnect the pattern generator signal from the Agilent 83430A.
- 14** Press the front-panel SELECT key so that the ANALOG IN AC COUPLED connector is selected. No signal should be connected to this input.
- 15** Adjust the ANALOG BIAS potentiometer so that the optical power measured at the front-panel OPTICAL OUT connector is $-1.5 \text{ dBm} \pm 0.2 \text{ dB}$.
- 16** Turn the Agilent 83430A's LINE switch off.

17 Connect the equipment as shown in the following figure.

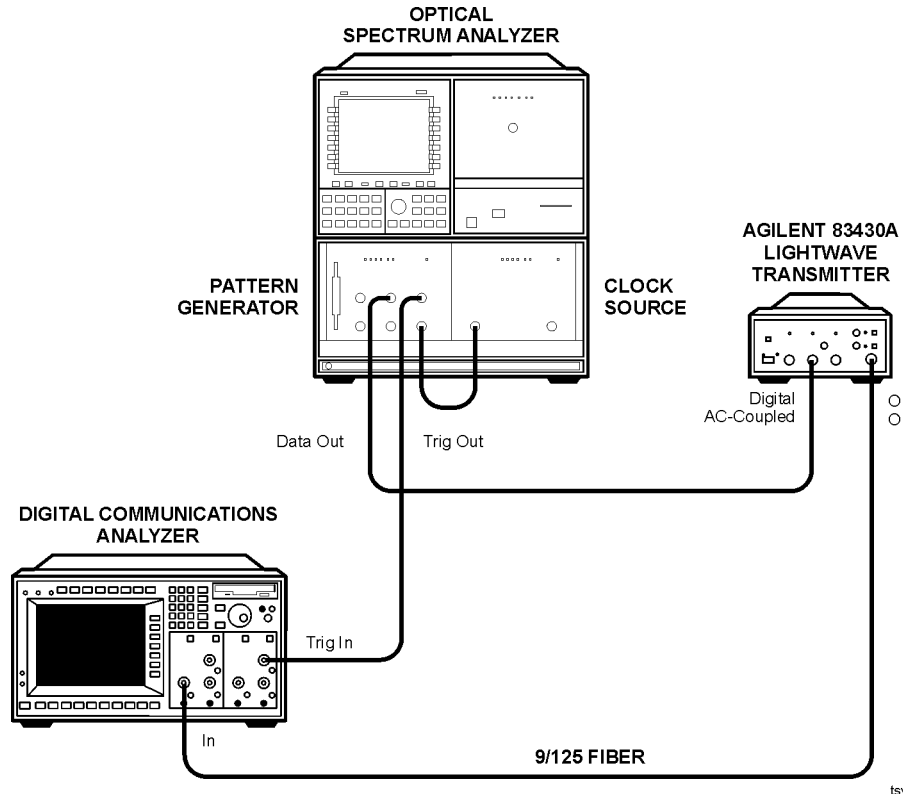


Figure 5-13. Equipment setup for laser bias

- 18 Turn the Agilent 83430A's LINE switch on, and clear the Agilent 83480A's display.
- 19 On the Agilent 83430A, press the PRESET/VARIABLE button so that the BIAS ADJUST light is off.
- 20 On the Agilent 83480A digital communications analyzer, perform the following steps:
 - a Turn the optical channel on. Turn off all other channels.
 - b Enable the internal OC-48 filter.
 - c Press the blue shift key and then press *MEAS EYE*.
 - d Press *Extinction ratio*.

- e** Press *Continue* to activate the color grade.
 - f** Press *Dark cal*, and follow the instructions on the screen.
 - g** When the dark calibration is complete, press *Format* to select decibels.
 - h** Press *Enter* to complete the measurement setup.
- 21** On the Agilent 83430A, press the front-panel PRESET/VARIABLE button so that the BIAS ADJUST light is on.
- 22** Turn the Agilent 83430A's front-panel BIAS ADJUST knob fully clockwise.
- 23** Adjust the PRESET BIAS potentiometer so that the extinction ratio measures between 6.0 dB and 8.0 dB.
- Between adjustments, be sure to clear the Agilent 83480A's display and allow adequate time for the extinction ratio measurement to settle.
- 24** Turn the Agilent 83430A's front-panel BIAS ADJUST knob fully counterclockwise.
- 25** Readjust the PRESET BIAS potentiometer so that the extinction ratio measures slightly greater than 13.5 dB.
- 26** Turn the Agilent 83430A's front-panel BIAS ADJUST knob fully clockwise.
- 27** The minimum extinction ratio should measure less than 8.0 dB.

Index

A

AC COUPLED connector, 2-3
ac power cables, 1-9, 4-5
accessories
 static-safe, 5-8
accuracy, measurement, iv
adapters, 2-4
 fiber optic, 4-4
adjustable features, iii
adjusting
 output amplitude, 2-4
 wavelength, 2-4
adjustment procedures, 5-36
 instrument cover removal, 5-38
 laser bias and control, 5-41
 power supply, 5-39
 required test equipment, 5-37
adjustment range
 bias/extinction ratio, 3-4
 wavelength, 3-4
Agilent offices, 4-6
amplitude, adjusting output, 2-4
ANALOG IN connector, 2-3
 electrical return loss performance test, 5-20
 frequency response performance test, 5-17
 specifications, 3-5
analog mode, average coupled power, 3-4
angled output fiber, 4-3, 5-13, 5-36
assemblies, instrument, 5-5
average coupled power, specification, 3-4

B

BIAS ADJUST knob, 2-4
bias ratio adjustment range, 3-4
BNC connector, 2-3

C

cabinet, cleaning, vi, 1-2, 5-4
cables, 5-5
 line power, 4-5
calibration
 cycle, 3-2, 5-13
 kit connections, 5-20
 termination kit, 5-20, 5-22
capabilities of system, iv
care

 of cabinet, vi, 1-2, 5-4
 of fiber optics, iv
center wavelength specifications, 3-3
classification
 laser, v, 3-6
 product, vi, 1-2
cleaning
 adapters, 2-18
 cabinet, vi, 1-2
 fiber-optic connections, 2-9, 2-17
 non-lensed connectors, 2-17
compressed dust remover, 2-16
configuring the pattern generator, 5-35
connection, calibration kit, 5-20
connector
 care, 2-9
 input, 2-3
 specifications, 3-5
cotton swabs, 2-16
creating a label, 5-32, 5-42

D

damaged shipment, 1-4
data amplitude, 5-18
data termination level, setting, 5-35
DC COUPLED connector, 2-3
declaration of conformity, 3-7
DIGITAL IN connector, 2-3
 electrical return loss performance test, 5-22
 eye quality performance test, 5-24
 specifications, 3-5
digital input threshold, iii
digital mode, peak coupled power, 3-4
DIGITAL THRESHOLD knob, 2-3
digital threshold, performance test, 5-15
dimensions of instrument, 3-5
dispersion power penalty, 3-4
 testing, 2-7
dust caps, 2-17

E

ECL
 input, 2-3
 logic level, 5-31, 5-42
electrical return loss
 ANALOG IN performance test, 5-20

Index

DIGITAL IN performance test, 5-22
ESD (electrostatic discharge), 5-4, 5-7, 5-38
extinction ratio
 adjustment range, 3-4
 measurement, 5-27, 5-29, 5-45
 optical signals, iii
 specification, 3-4
eye diagram
 performance test, 5-24
 zero crossing, 5-16
eye mask measurement, 5-30
eye quality, 5-26
 DIGITAL IN performance test, 5-24

F

features, user adjustable, iii
fiber optics
 adapters, 2-4, 4-4, 5-18
 care of, iv
 cleaning connections, 2-9
 connectors, covering, 1-12
filter, OC-48, 5-18
foam swabs, 2-16
frequency level, checking, 5-17
frequency response (ANALOG IN)
 performance test, 5-17
front panel
 adapters, 4-4
 functions, 2-3
fuse, 1-6
 checking, 5-11
 spare, 5-11
 values, vi, 5-11

G

general specifications, 3-4

H

humidity, 3-5

I

IEC Publication 61010-1, vi
input
 connector, 2-3, 2-9

ECL, 2-3
 modulation specifications, 3-5
inspecting
 instrument, 1-4
installing, 1-2
instrument
 cover, removing, 5-38
 options, 4-3
 returning for service, 1-11
 serial number, 1-4
internal labels, 5-4

J

jitter generation, 3-4
jitter tolerance, testing, 2-8

L

labels
 creating, 5-32, 5-42
 internal, 5-4
 rear panel, 1-4
laser
 aperture, v
 classification, v, 3-6, 5-4, 5-36
laser bias and control
 adjustment procedure, 5-41
line fuse, safety, 1-7
LINE key, 1-10, 2-3
line-power
 cable, 1-8, 4-5
 cables, 4-5
 input connector, 1-6, 5-11
 requirements, 1-8
 specifications, 3-5
low output power, 5-10

M

manual performance tests, 5-13
measurement accuracy, 1-3
modulation
 checking level, 5-17
 input, 2-3

N

noise declaration, 3-6
 noise, relative intensity, 3-4

O

OC-1 conformance
 performance test, 5-28
 OC-48 filter, 5-18, 5-25, 5-44
 OC-48/STM-16 conformance
 performance test, 5-26
 one-port reflection measurement, 5-20, 5-22
 operating specifications, 3-5
 optical level symmetry, iii
 OPTICAL OUT connector, iv–v, 1-3, 5-10
 optical output power
 level, 5-32
 measurement, 5-31
 optical receiver sensitivity, 2-5
 optical signal, extinction ratio, iii
 options, 4-3
 output amplitude, adjusting, 2-4
 output power performance test, 5-31
 output wavelength performance test, 5-33

P

packaging for shipment, 1-12
 parts
 major assemblies, 5-5
 pattern generator, configuring, 5-35
 peak coupled power, specification, 3-4
 performance tests, 5-13
 adjustment procedures, 5-36
 configuring the pattern generator, 5-35
 digital threshold, 5-15
 electrical return loss (ANALOG IN), 5-20
 electrical return loss (DIGITAL IN), 5-22
 eye quality (DIGITAL IN), 5-24
 frequency response (ANALOG IN), 5-17
 OC-1 conformance, 5-28
 output power, 5-31
 output wavelength, 5-33
 required test equipment, 5-14
 STM-16/OC-48 conformance, 5-26
 performance verification, 5-13
 power cable requirements, 1-8
 power supply adjustment procedure, 5-39

preset wavelength, 2-4
 PRESET/VARIABLE, 2-4

R

rack mounting requirements, 1-2
 radiation exposure, v, 5-3
 rear panel
 label, 1-4
 voltage selector, 1-6
 receiver sensitivity, optical, 2-5
 regulatory
 duration, 3-2
 information, 3-6
 relative intensity noise, 3-4
 removing the instrument cover, 5-38
 replacement procedures
 instrument cover, 5-38
 required test equipment
 adjustment procedures, 5-37
 performance tests, 5-14
 return loss
 performance test, 5-20
 returning for service, 1-11

S

safety, v, vi, 1-2, 5-2, 5-9, 5-36
 laser classification, vi, 1-2
 line fuse, 1-7
 sales and service offices, 4-6
 SDH/SONET
 compliance, iii
 pattern, 3-4
 SELECT key, 2-3
 selecting a wavelength, iii
 sensitivity, testing, 2-5
 serial number, instrument, 1-4
 service, 1-11
 returning for, 1-11
 sales and service offices, 4-6
 tools, 5-5
 setting the data termination level, 5-35
 setting the trigger mode, 5-35
 shipping
 damage, 1-4
 procedure, 1-11
 shunt jumpers, 5-36

Index

- side-mode suppression ratio, 3-4
- spare fuse, 1-6, 5-11
- specifications
 - center wavelength, 3-3
 - definition of terms, 3-2
 - general, 3-4
 - operating, 3-5
- spectral width, 3-4
- static-safe accessories, 5-8
- STM-16/OC-48 conformance
 - performance test, 5-26
- storage temperature, 3-5
- suppression ratio, side-mode, 3-4
- swabs, 2-16
- system test capabilities, iv

T

- test capabilities of system, iv
- test equipment
 - adjustment procedures, 5-37
 - performance tests, 5-14
- threshold, digital input, iii
- tools for servicing, 5-4
- trigger mode, setting, 5-35
- troubleshooting, 5-2
 - check line-power fuse, 5-11
 - low output power, 5-10

U

- user-adjustable features, iii

V

- ventilation requirements, 1-2
- verification of performance, 5-13
- voltage selector, 1-6

W

- wavelength
 - adjustment, 2-4
 - adjustment range, 3-4
 - output performance test, 5-33
 - selection, iii
- WAVELENGTH ADJUST knob, 2-4
- weight, 3-5

- wide-band jitter, measuring, 2-8

Z

- zero crossing, eye diagram, 5-16